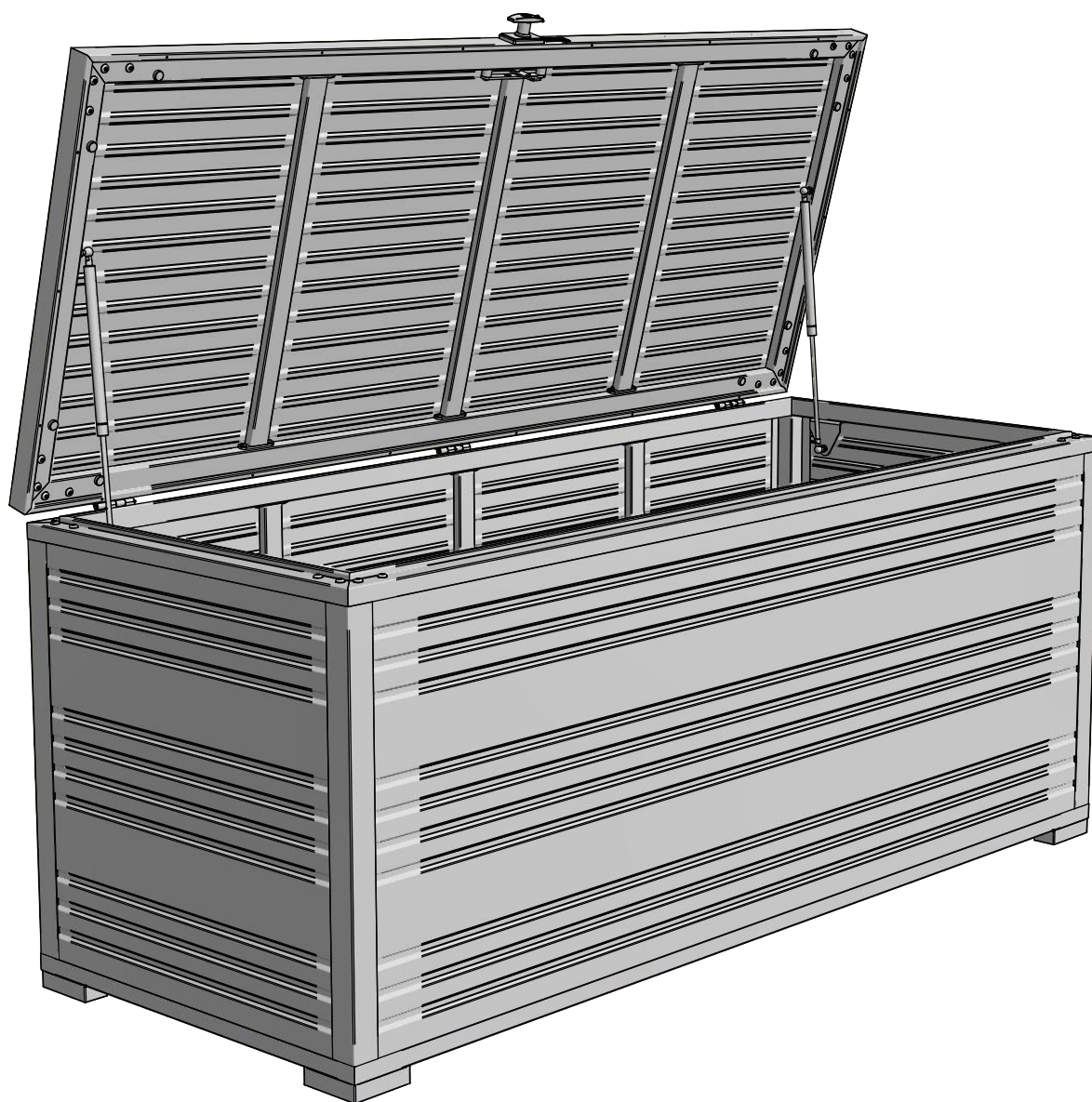


WE-ALU-BOX-1318-L



Design and Quality

Strongly made for lifetime on all weather conditions



Parts List

Item	Description	Part Number	Quantity
1	Corner Profile..	1600-0022	4
2	Side Panel..	1600-0611	2
3	Front Panel..	2000-0610	2
4	Cylinder..	2000-7004	2
5	Upper Frame Cover..	2000-8001	1
6	Bottom Frame..	2000-8002	1

Hardware

Item	Description	Part Number	Quantity
7	Machine Screw M6 x 16 mm, Stainless Steel..	MS6M16SS	28
8	Machine Screw M8 x 60 mm, Stainless Steel..	MS8M60SS	16
9	Hexagon Key 4 mm..	HK4M	1
10	Hexagon Key 5 mm..	HK5M	1
11	Hexagon Key 12 mm..	SK12M	1

Lista de Piezas

Artículo	Descripción	No.de Pieza	Cantidad
___ 1 ___	Perfil de Esquina. _____	1600-0022	___ 4 ___
___ 2 ___	Panel Lateral. _____	1600-0611	___ 2 ___
___ 3 ___	Panel Frontal. _____	2000-0610	___ 2 ___
___ 4 ___	Cilindro. _____	2000-7004	___ 2 ___
___ 5 ___	Cubierta Superior del Marco. _____	2000-8001	___ 1 ___
___ 6 ___	Bastidor Inferior. _____	2000-8002	___ 1 ___

Sujetadores

Artículo	Descripción	No.de Pieza	Cantidad
___ 7 ___	Tornillo de Máquina M6 x 16 mm, Acero Inoxidable. .	MS6M16SS	___ 28 ___
___ 8 ___	Tornillo de Máquina M8 x 60 mm, Acero Inoxidable. .	MS8M60SS	___ 16 ___
___ 9 ___	Tecla Hexagonal 4 mm. _____	HK4M	___ 1 ___
___ 10 ___	Tecla Hexagonal 5 mm. _____	HK5M	___ 1 ___
___ 11 ___	Tecla Hexagonal 12 mm. _____	SK12M	___ 1 ___

Lista de Peças

Número	Descrição	No.da Peça	Quantidade
1	Perfil de Canto..	1600-0022	4
2	Painel Lateral..	1600-0611	2
3	Painel Frontal..	2000-0610	2
4	Cilindro..	2000-7004	2
5	Tampa Superior do Quadro..	2000-8001	1
6	Moldura Inferior..	2000-8002	1

Equipamento

Número	Descrição	No.da Peça	Quantidade
7	Parafuso da Máquina M6 x 16 mm, Aço Inoxidável..	MS6M16SS	28
8	Parafuso da Máquina M8 x 60 mm, Aço Inoxidável..	MS8M60SS	16
9	Chave Hexagon 4 mm..	HK4M	1
10	Chave Hexagon 5 mm..	HK5M	1
11	Chave Hexagon 12 mm..	SK12M	1

Liste des Pièces

Item	Description	No. Pièce	Quantité
1	Profil de Coin..	1600-0022	4
2	Panneau de Coté..	1600-0611	2
3	Panneau Avant.	2000-0610	2
4	Cylindre..	2000-7004	2
5	Couvercle Supérieur.	2000-8001	1
6	Cadre Inférieur.	2000-8002	1

Quincaillerie

Item	Description	No. Pièce	Quantité
7	Vis Mécanique M6 x 16 mm, Acier Inoxidable..	MS6M16SS	28
8	Vis Mécanique M8 x 60 mm, Acier Inoxidable..	MS8M60SS	16
9	Clef Hexagonale 4 mm..	HK4M	1
10	Clef Hexagonale 5 mm..	HK5M	1
11	Clef Hexagonale 12 mm..	SK12M	1

Stückliste

Artikel	Beschreibung	Teilenummer	Menge
1	Eckprofil	1100-0022	4
2	Frontplatte	1100-0610	2
3	Seitenplatte	1100-0611	2
4	Zylinder	1000-7004	2
5	Obere Rahmenabdeckung	1100-8001	1
6	Unterrahmen	1100-8002	1

Verschlüsse

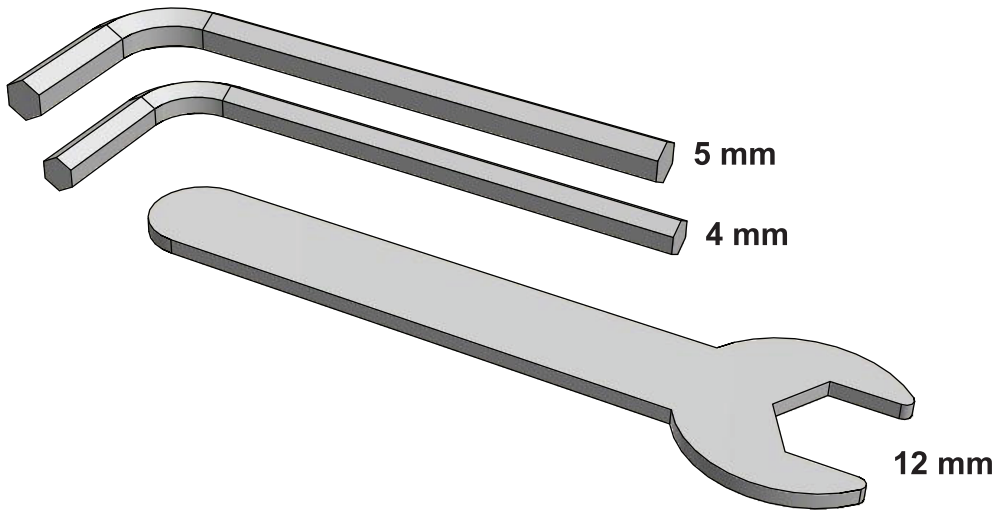
Artikel	Beschreibung	Teilenummer	Menge
7	Maschinenschraube M6 x 16 mm, Edelstahl.	MS6M16SS	12
8	Maschinenschraube M8 x 60 mm, Edelstahl.	MS8M60SS	16
9	Inbusschlüssel 4 mm.	HK4M	1
10	Inbusschlüssel 5 mm.	HK5M	1
11	Ringschlüssel 12 mm.	SK12M	1

Elenco Parti

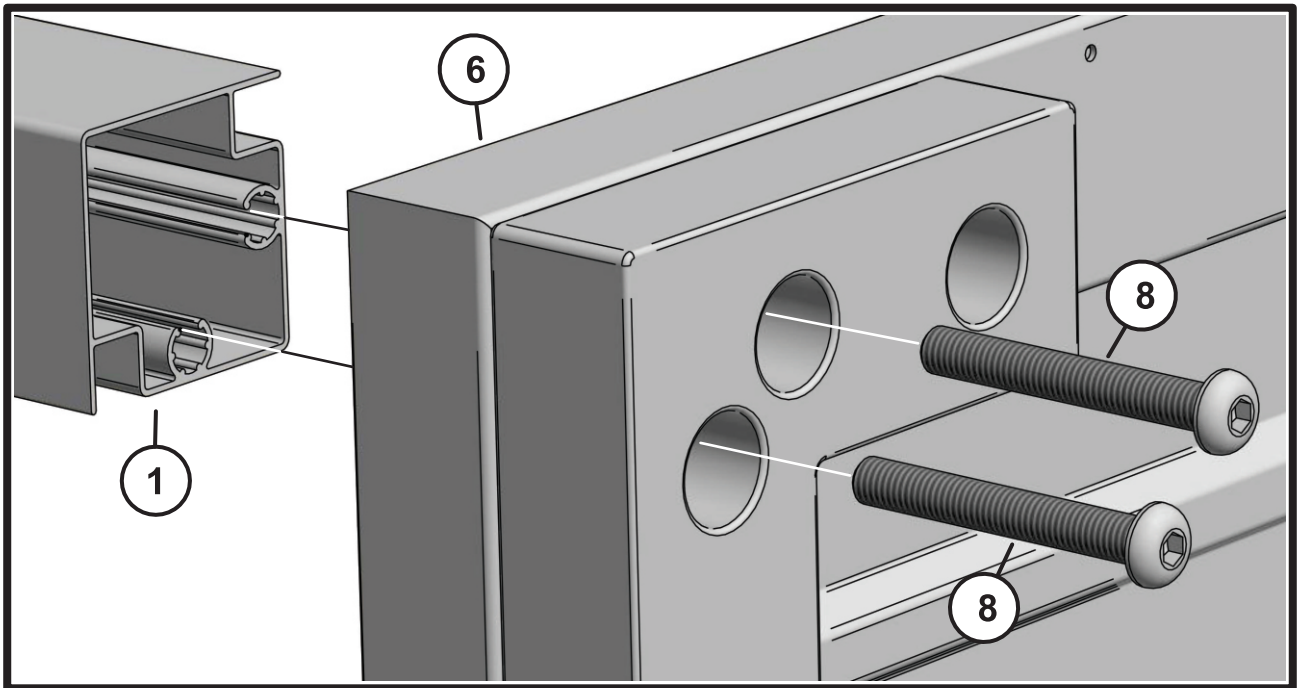
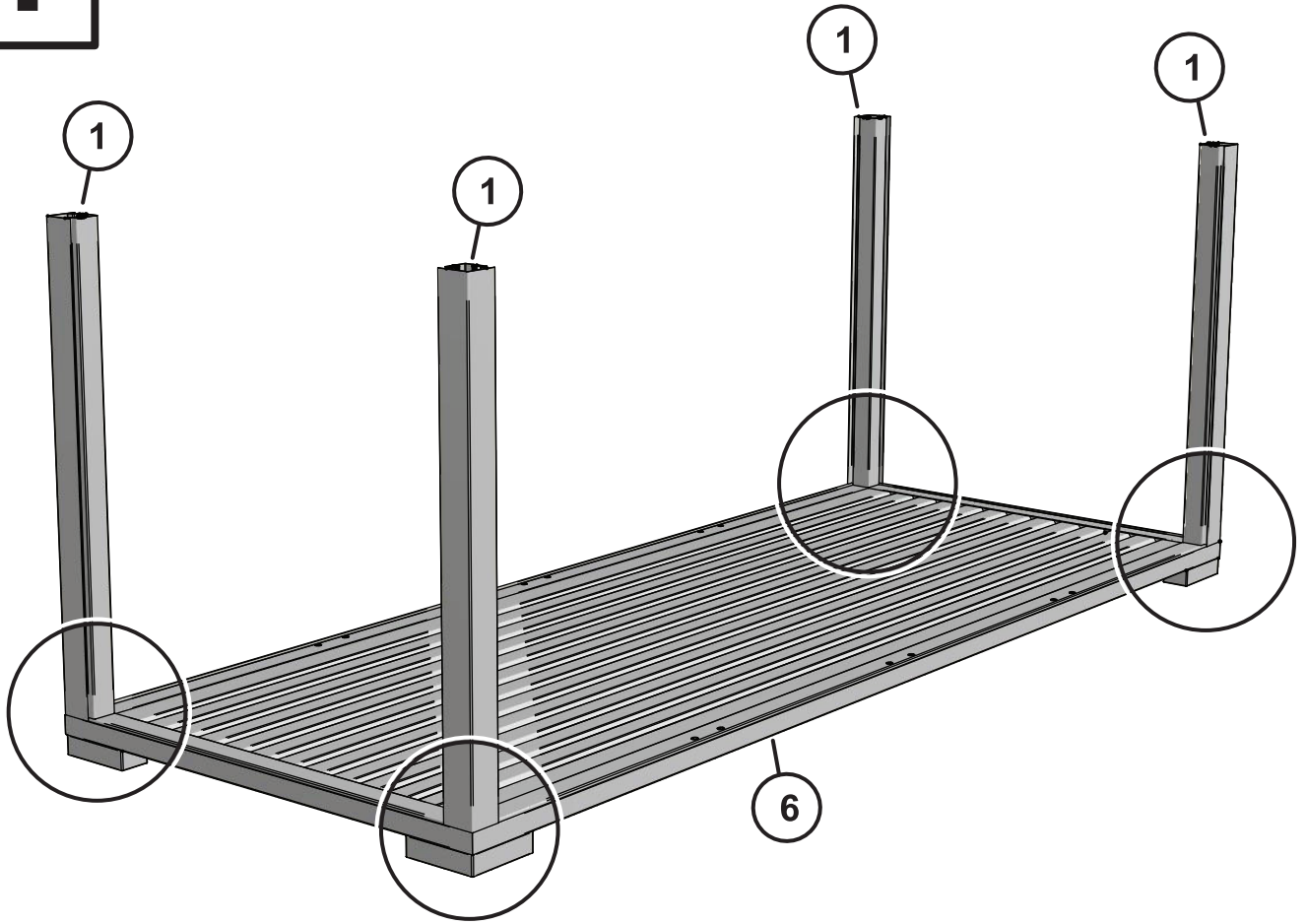
Articolo	Descrizione	No.di Parte	Quantità
1	Profilo Angolare..	1600-0022	4
2	Pannello Laterale..	1600-0611	2
3	Pannello Frontale..	2000-0610	2
4	Cilindro..	2000-7004	2
5	Copertura del Telaio Superiore..	2000-8001	1
6	Telaio Inferiore..	2000-8002	1

Fissaggio

Articolo	Descrizione	No.di Parte	Quantità
7	Vite a Macchina M6 x 16 mm, Acciaio Inossidabile..	MS6M16SS	28
8	Vite a Macchina M8 x 60 mm, Acciaio Inossidabile..	MS8M60SS	16
9	Chiave Esagonale 4 mm..	HK4M	1
10	Chiave Esagonale 5 mm..	HK5M	1
11	Chiave Esagonale 12 mm..	SK12M	1

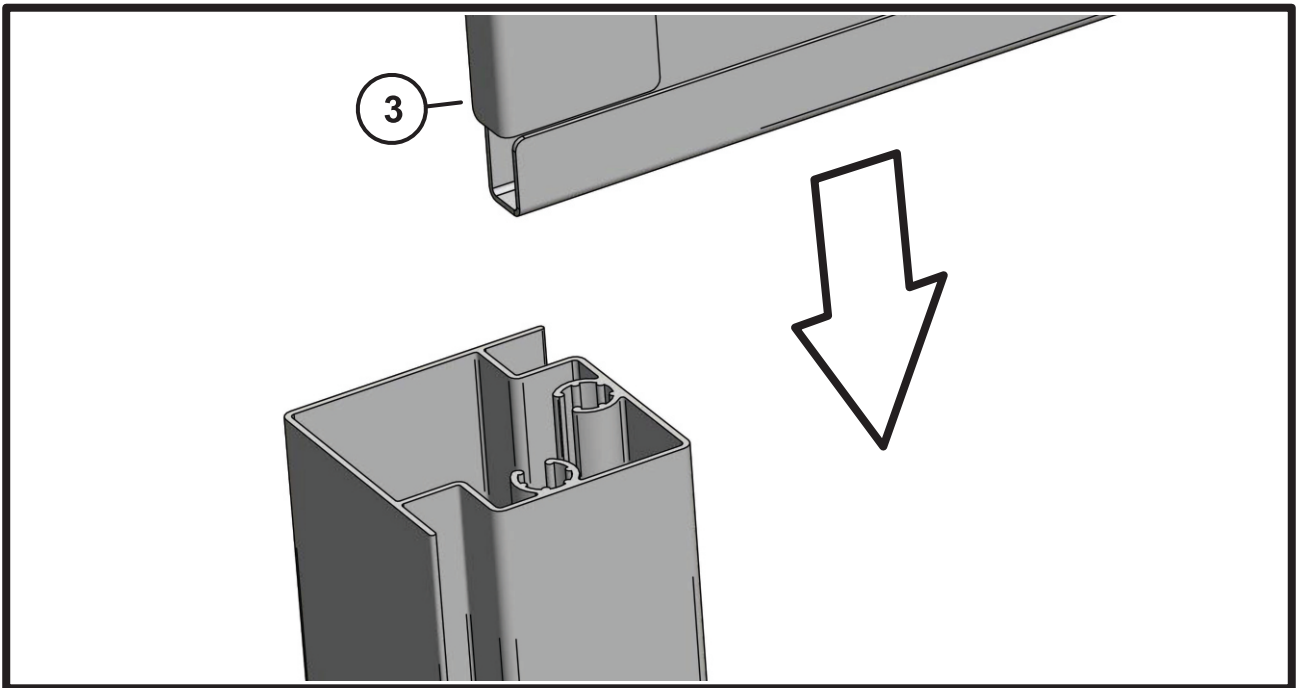
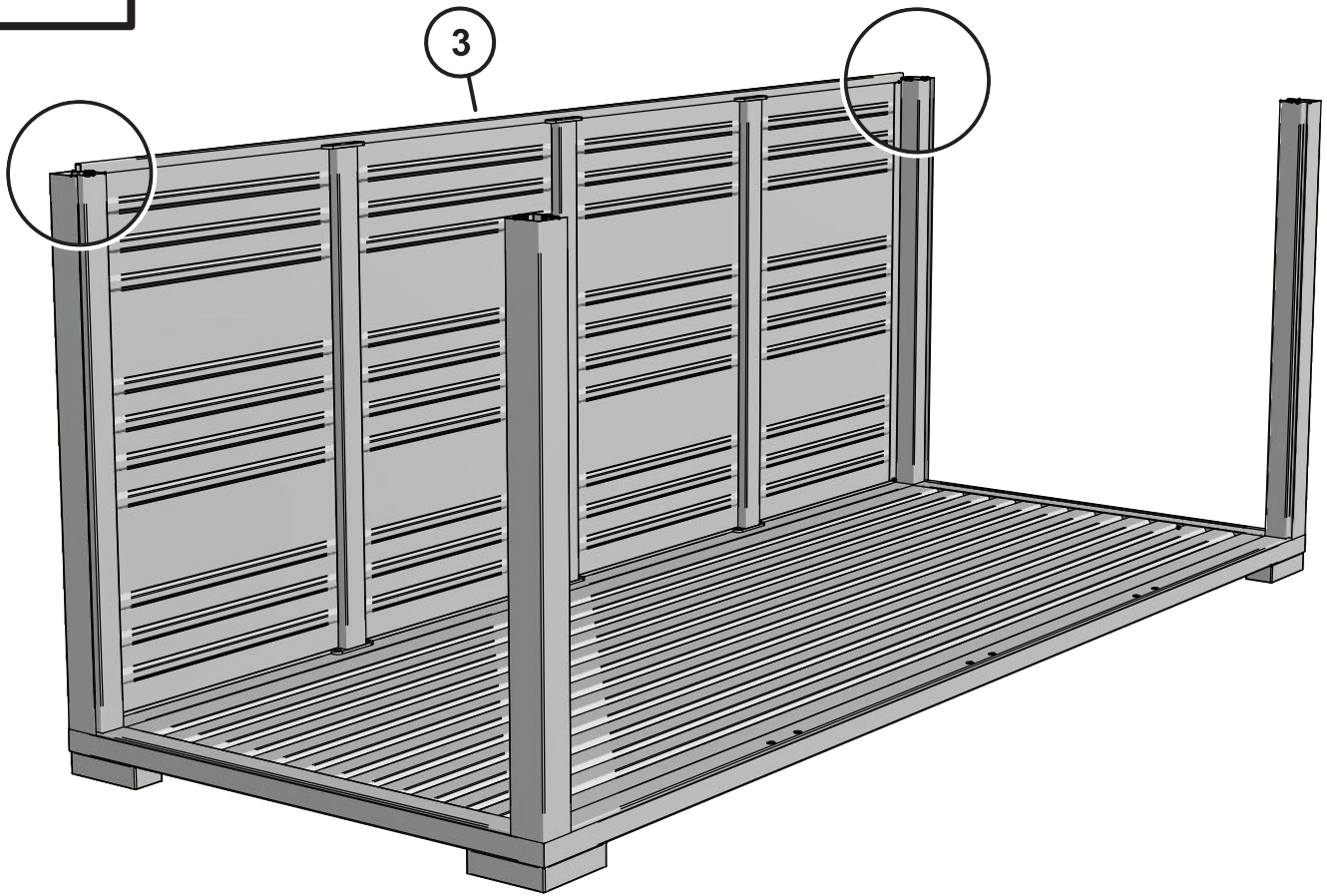


1



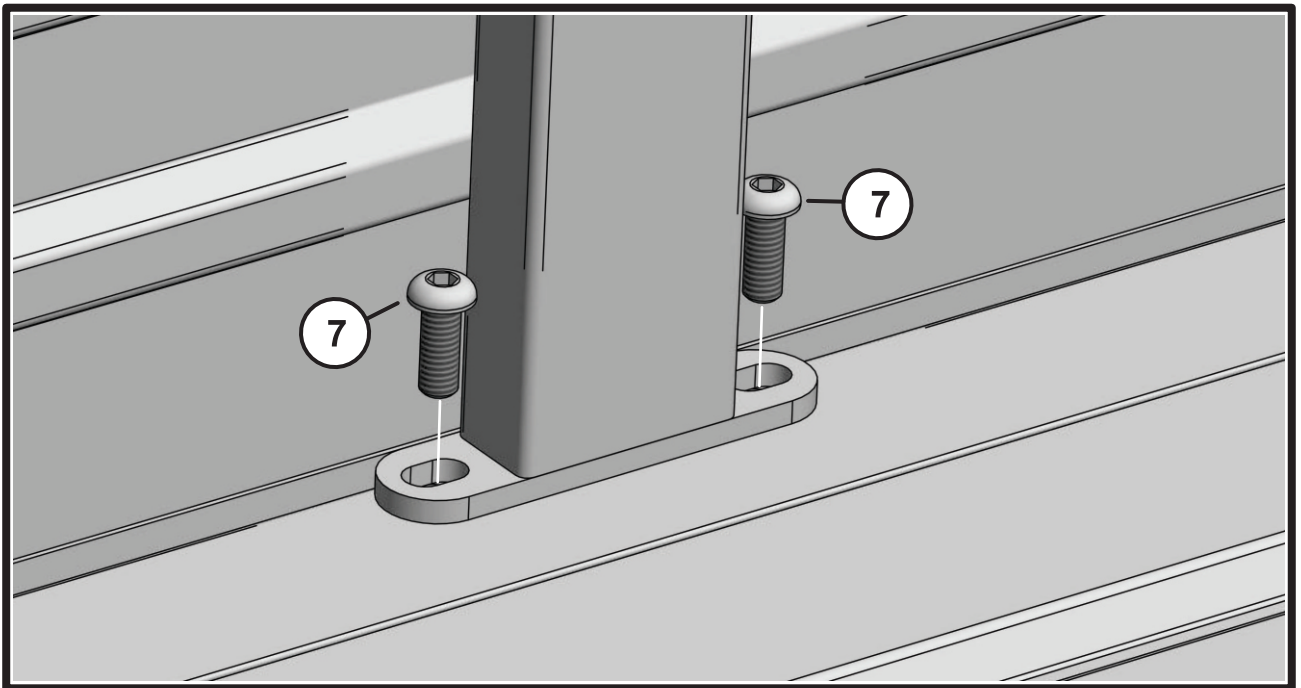
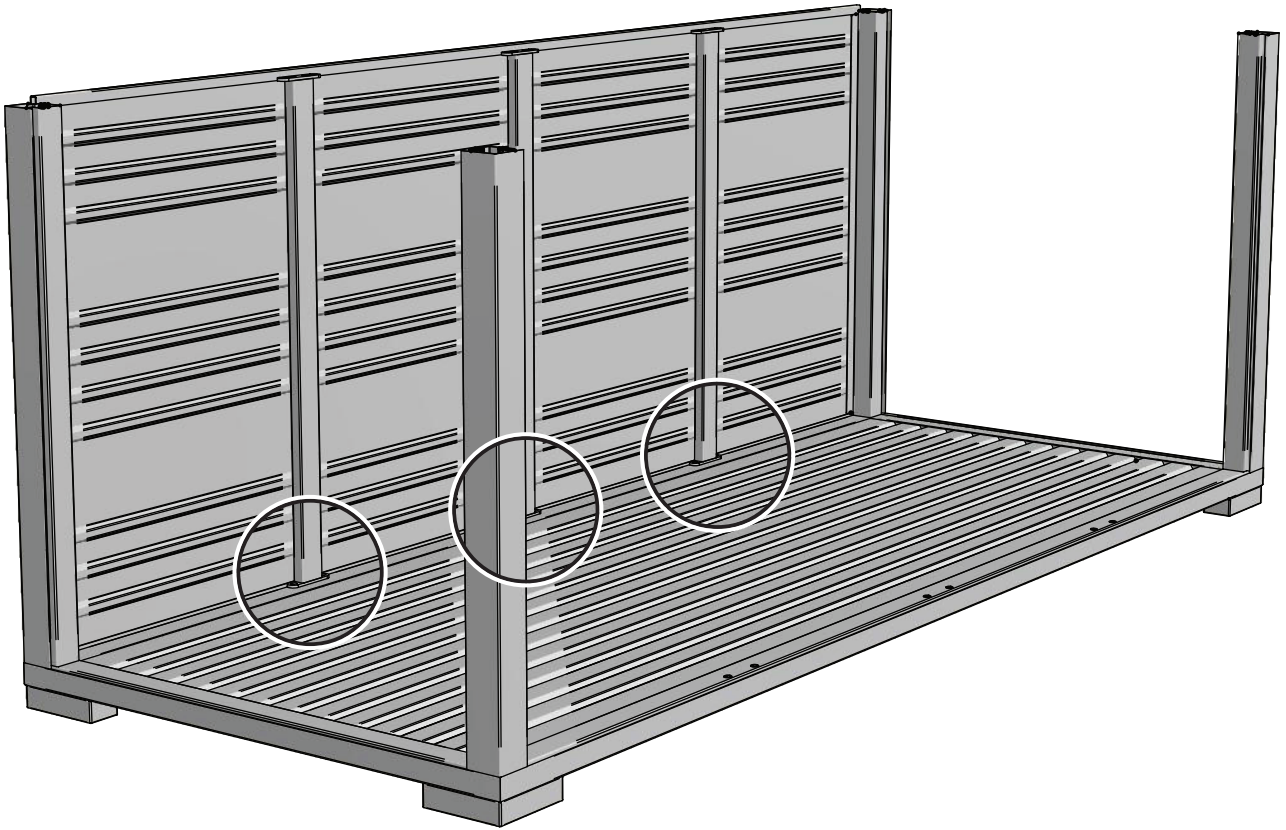
8

2

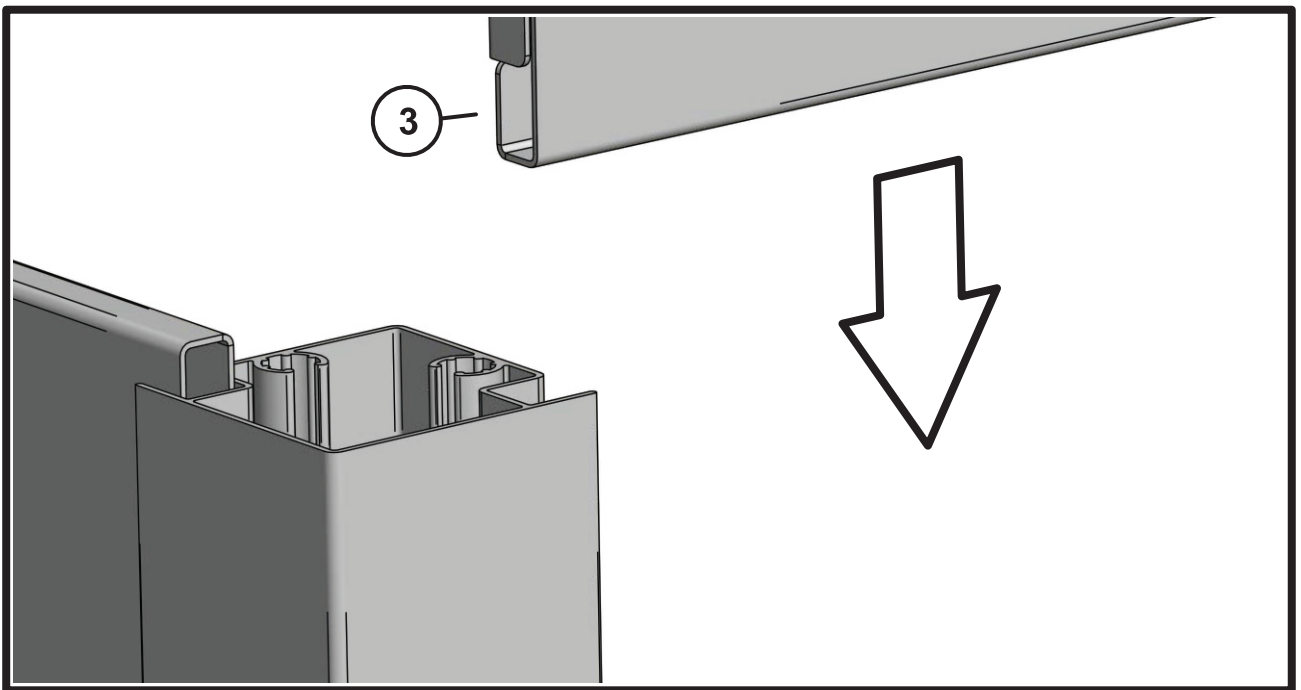
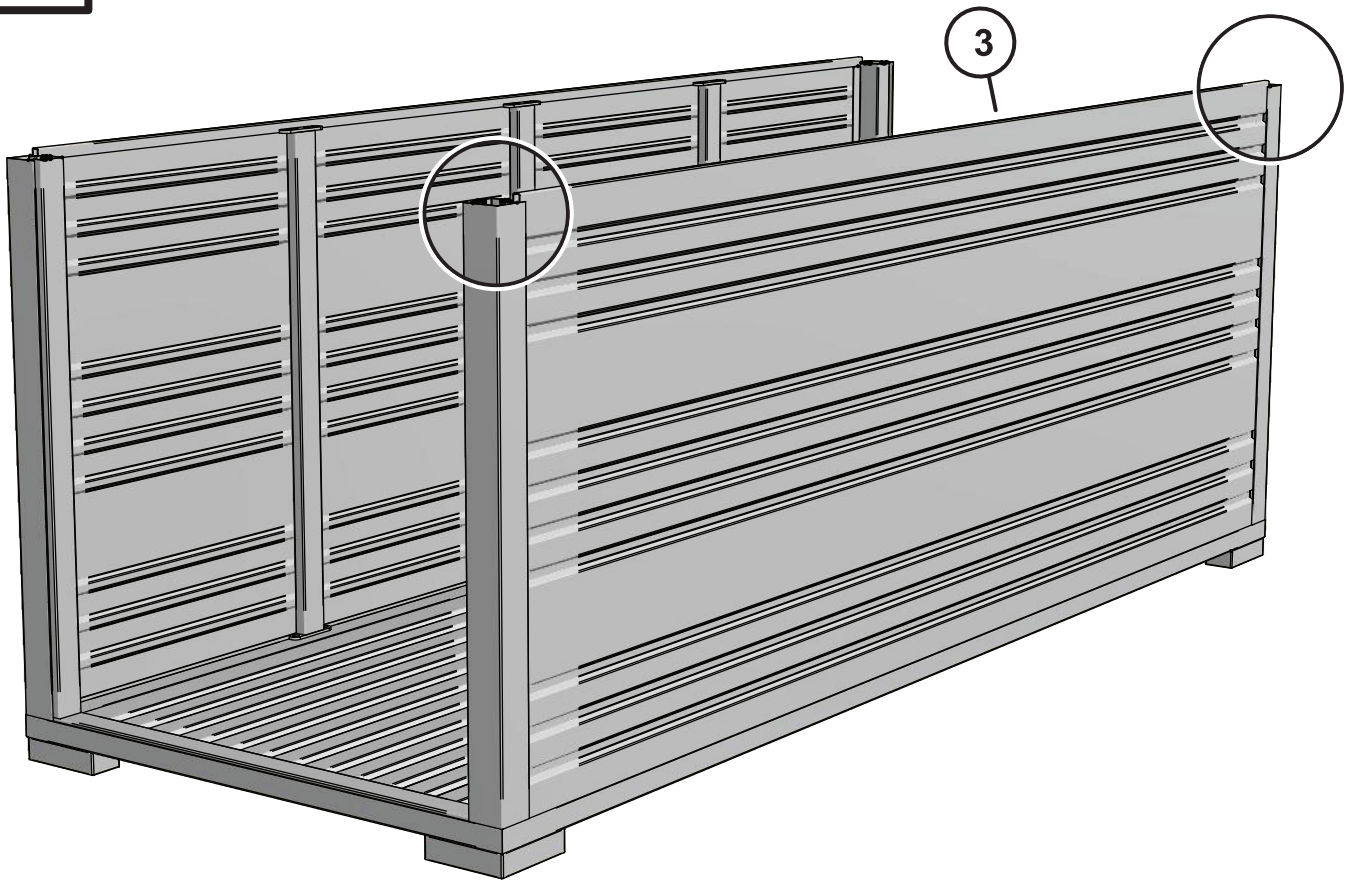


9

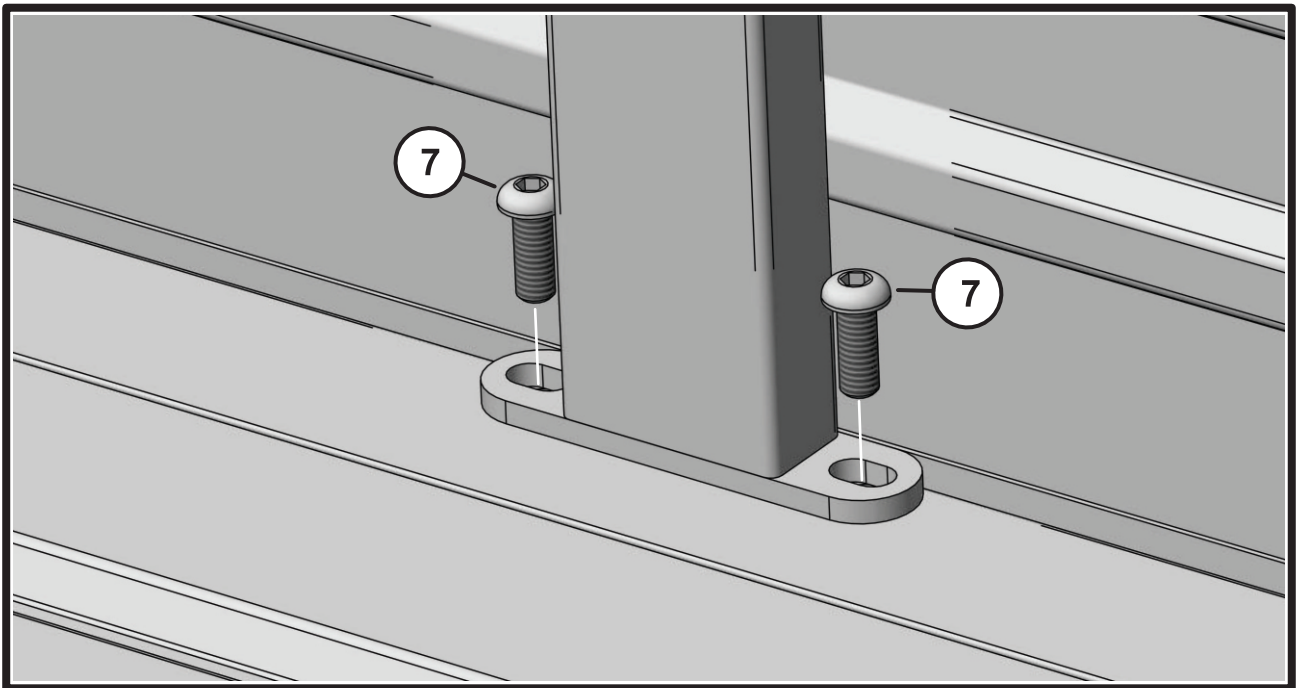
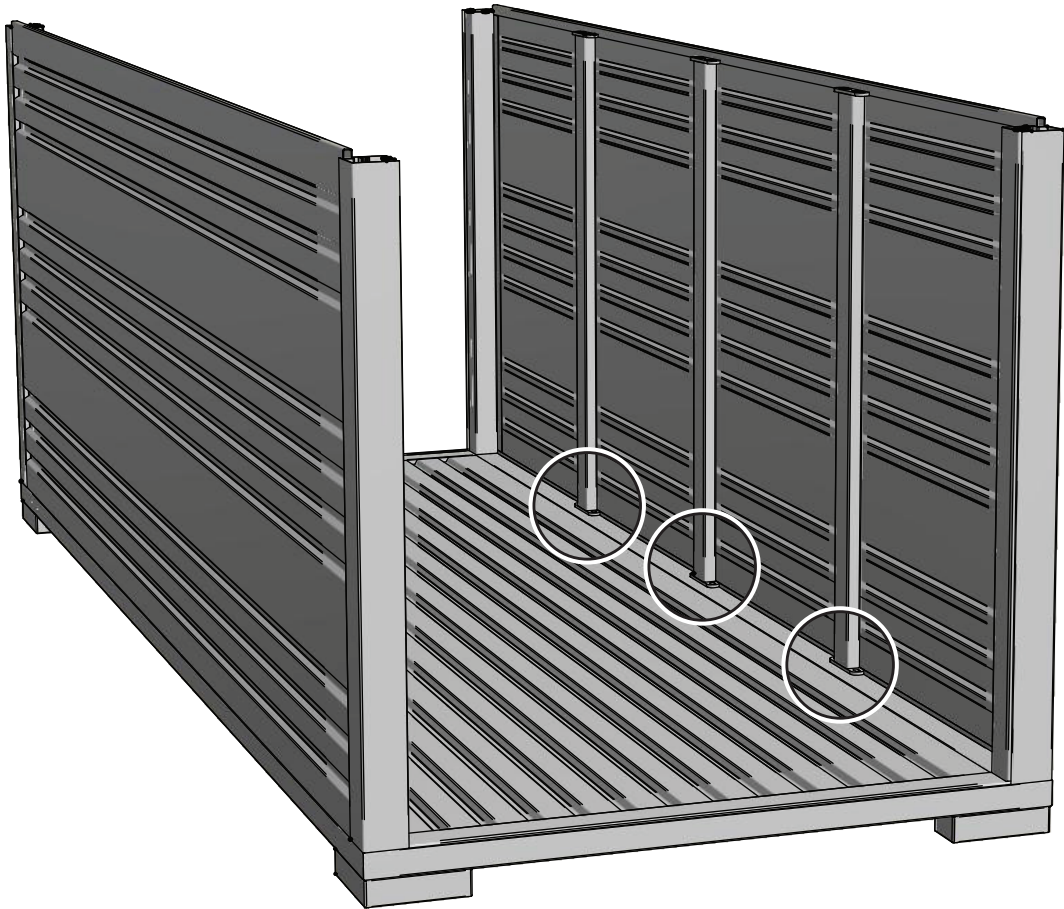
3



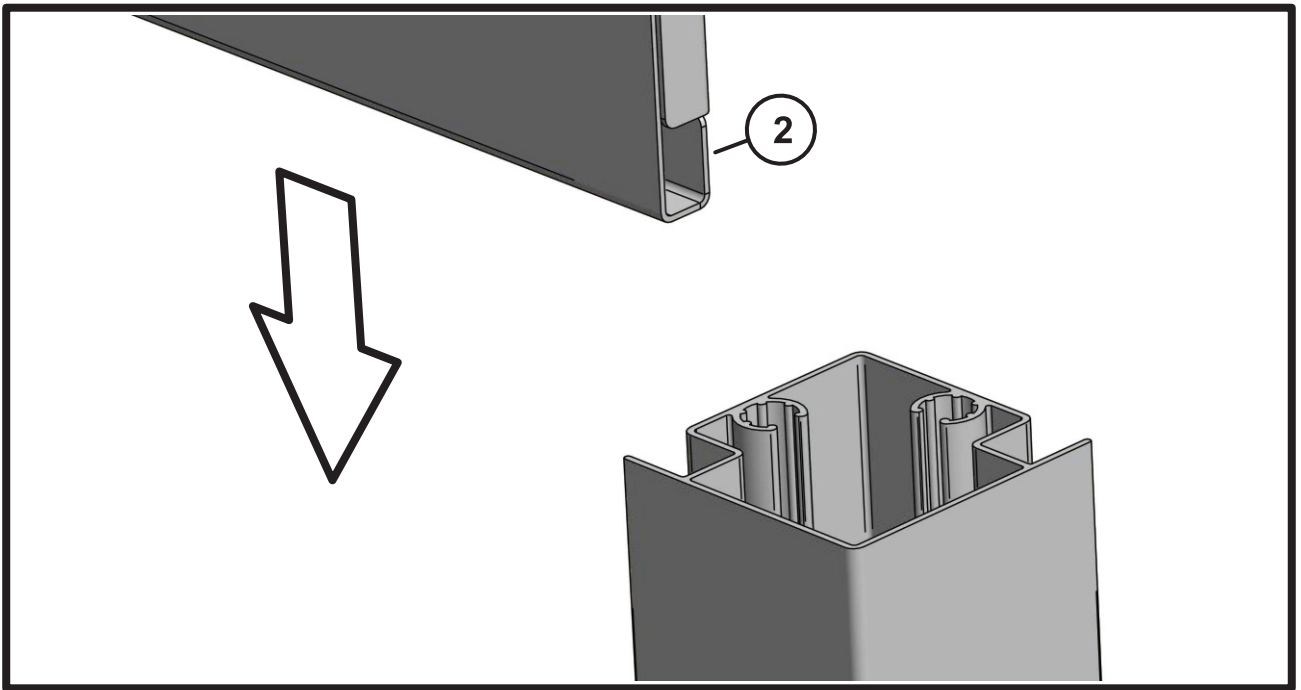
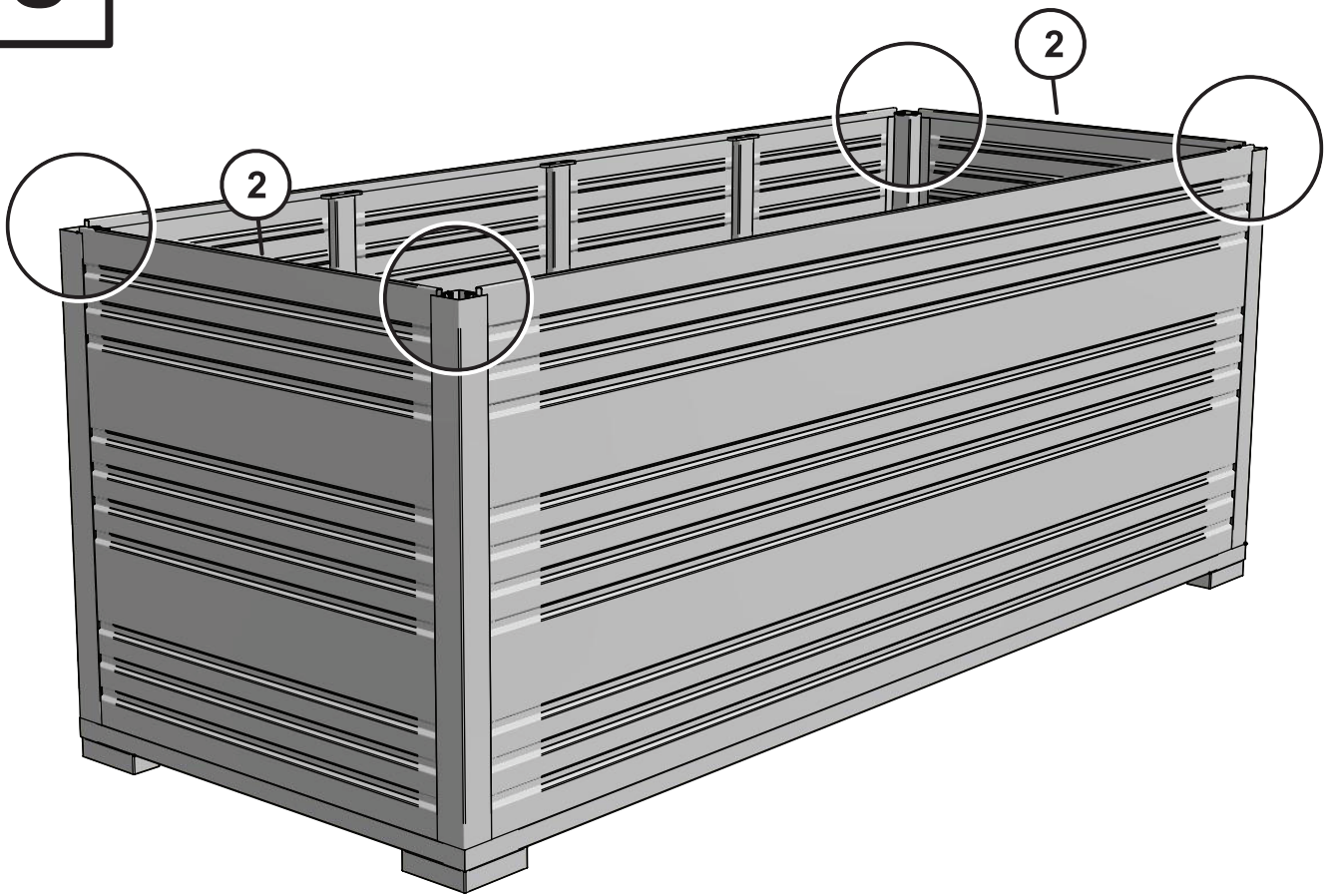
4



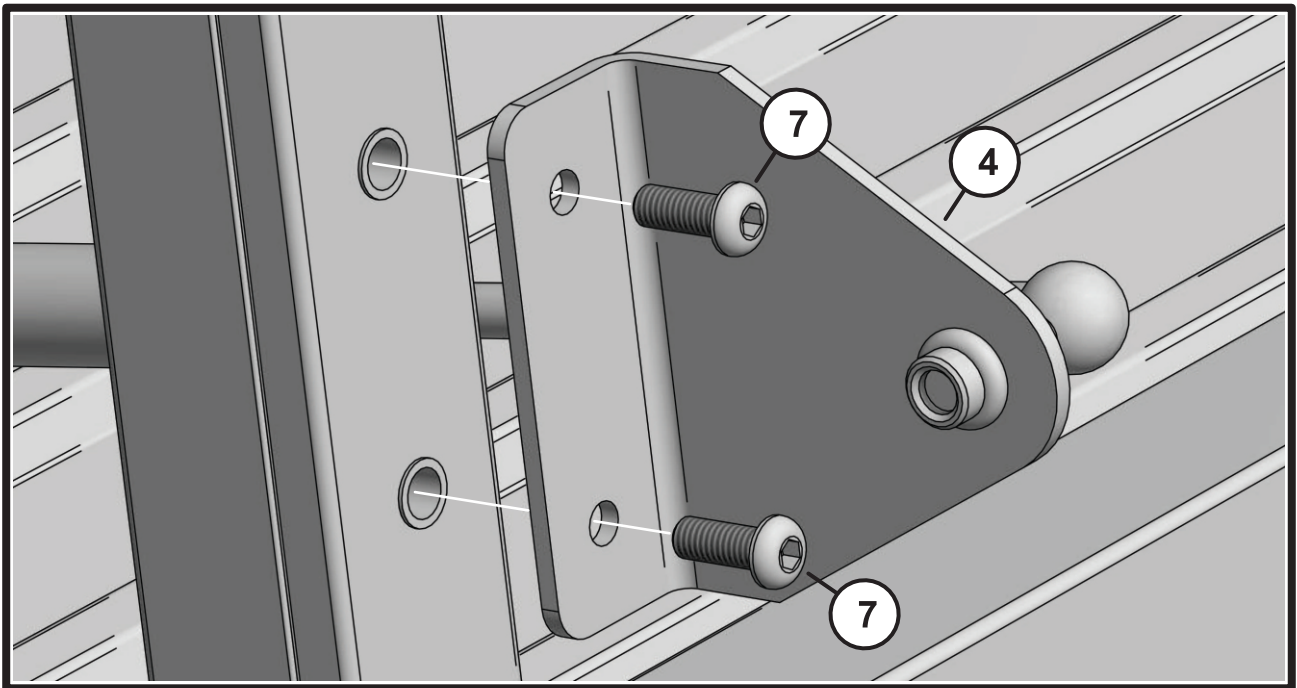
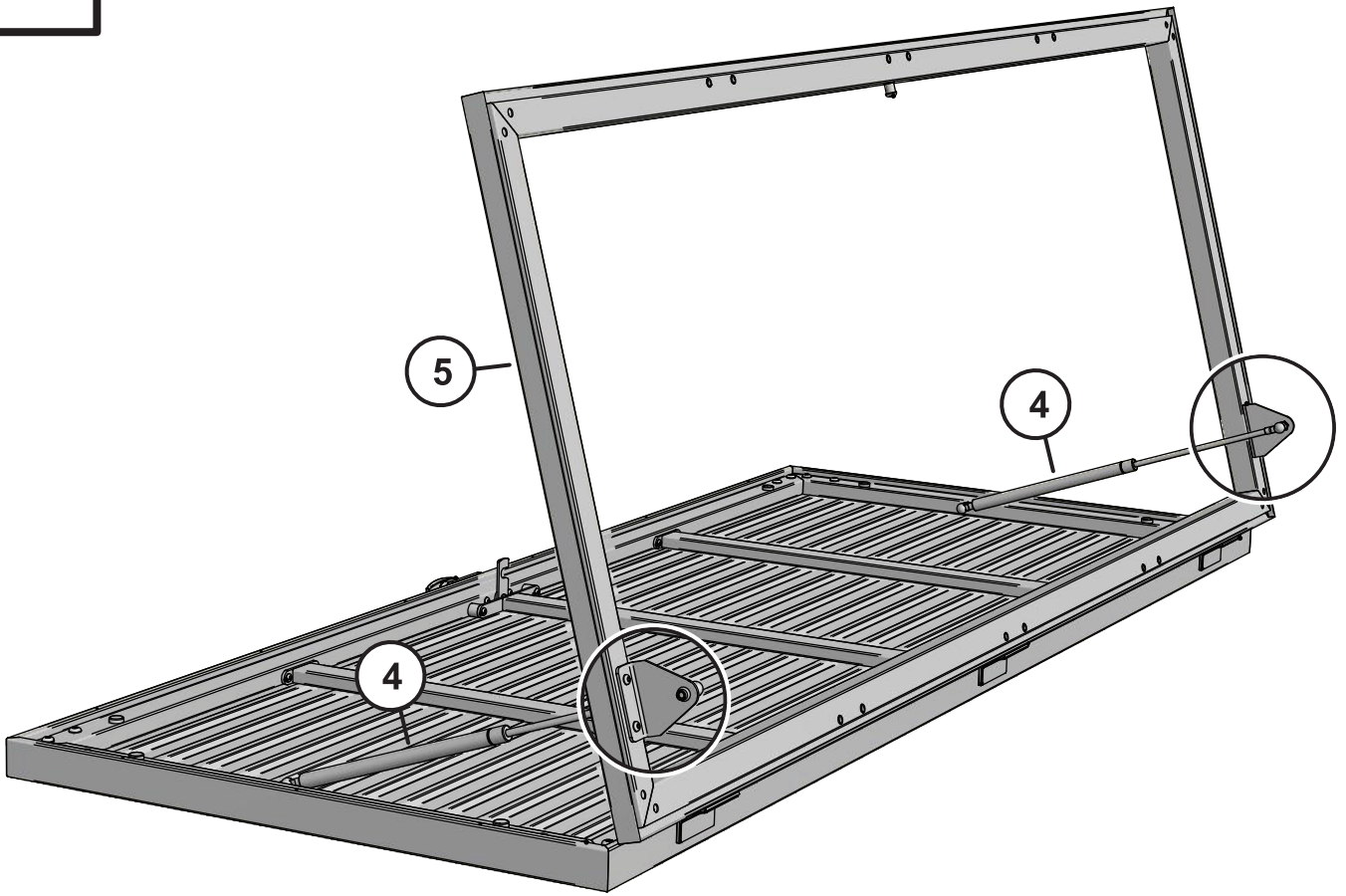
5



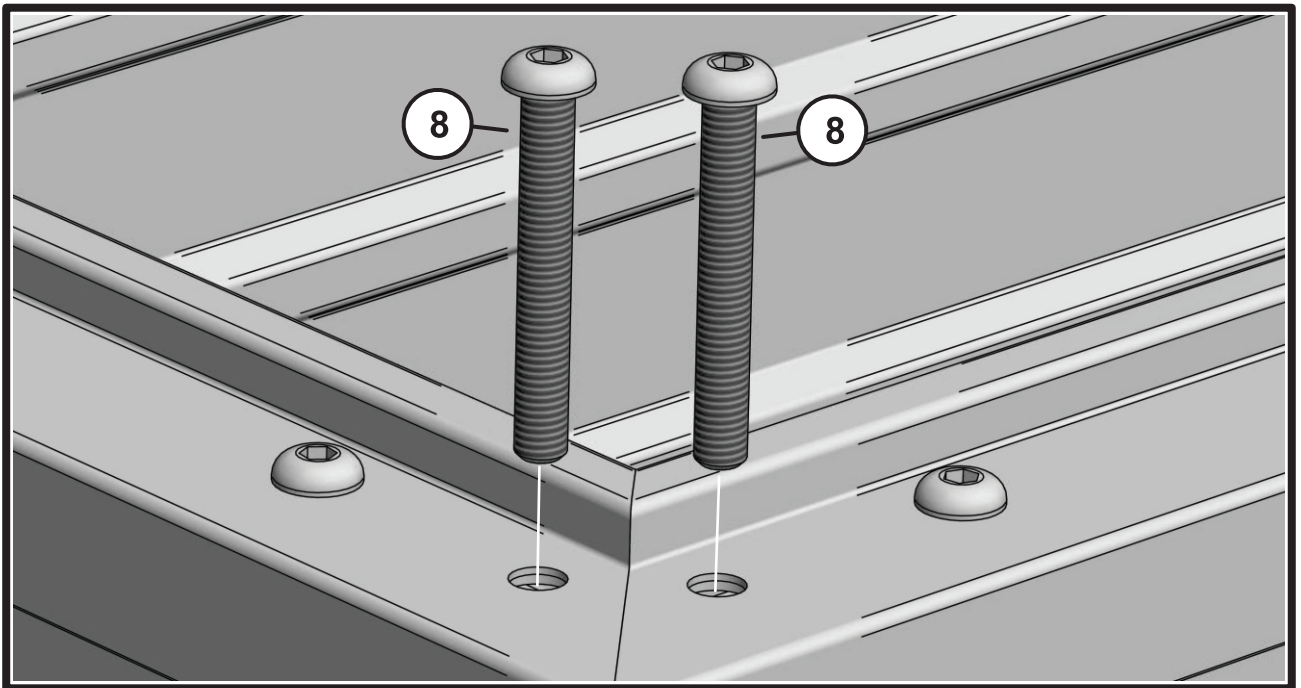
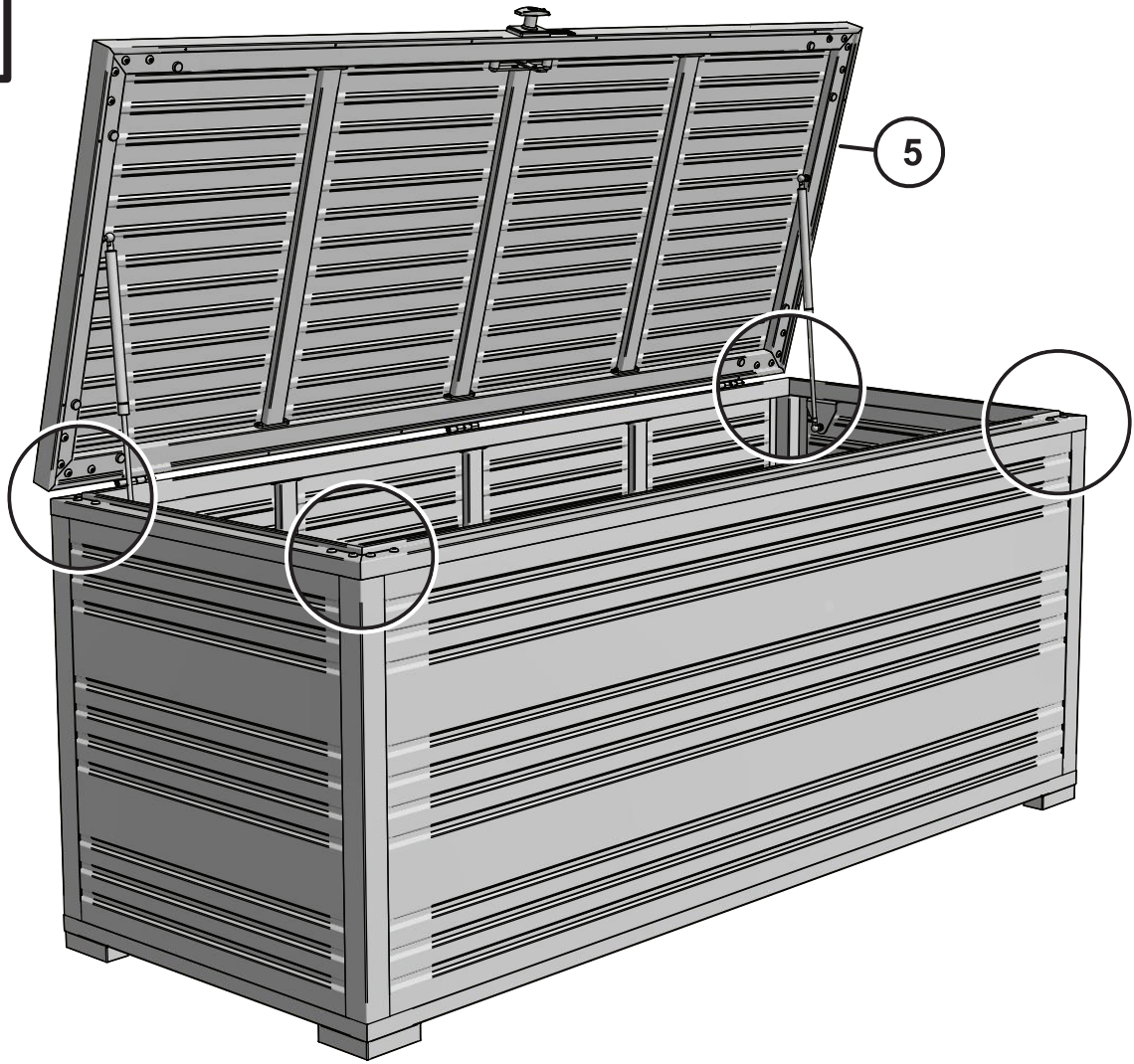
6



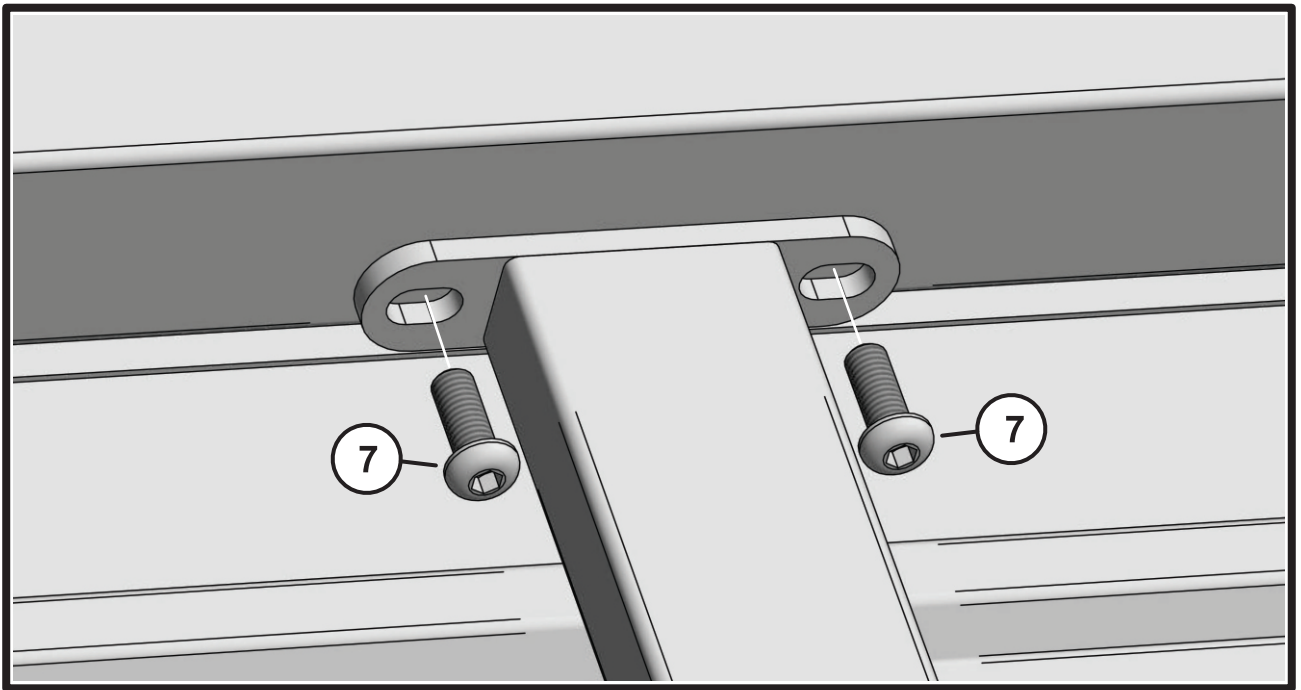
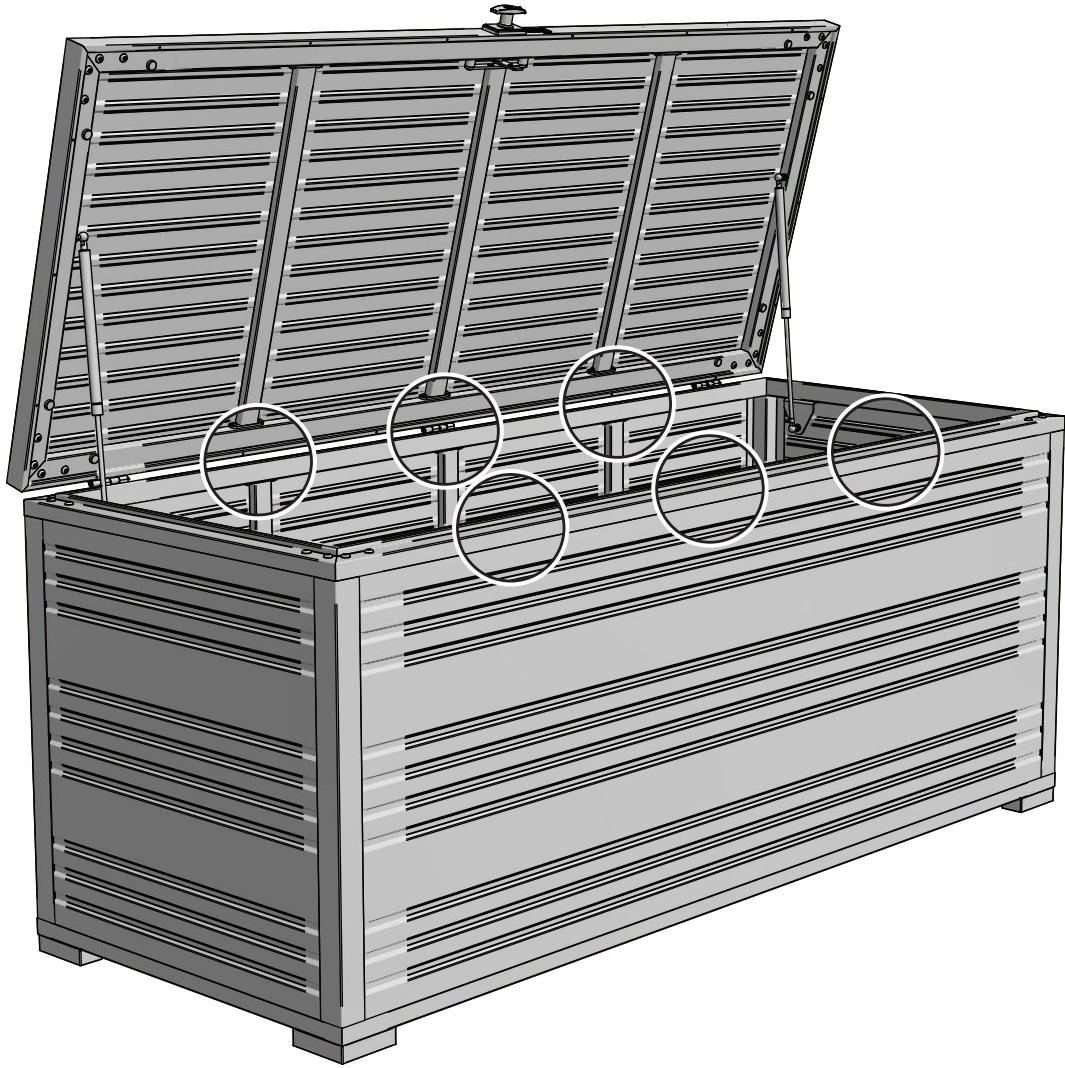
7



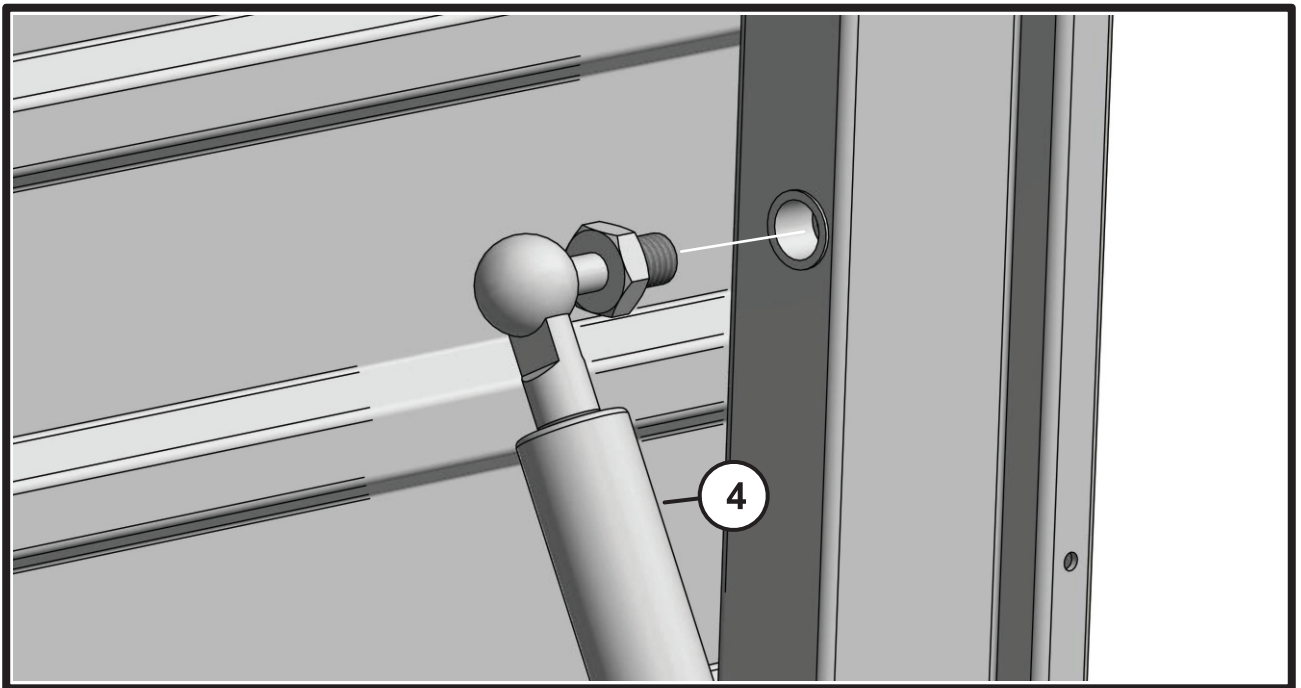
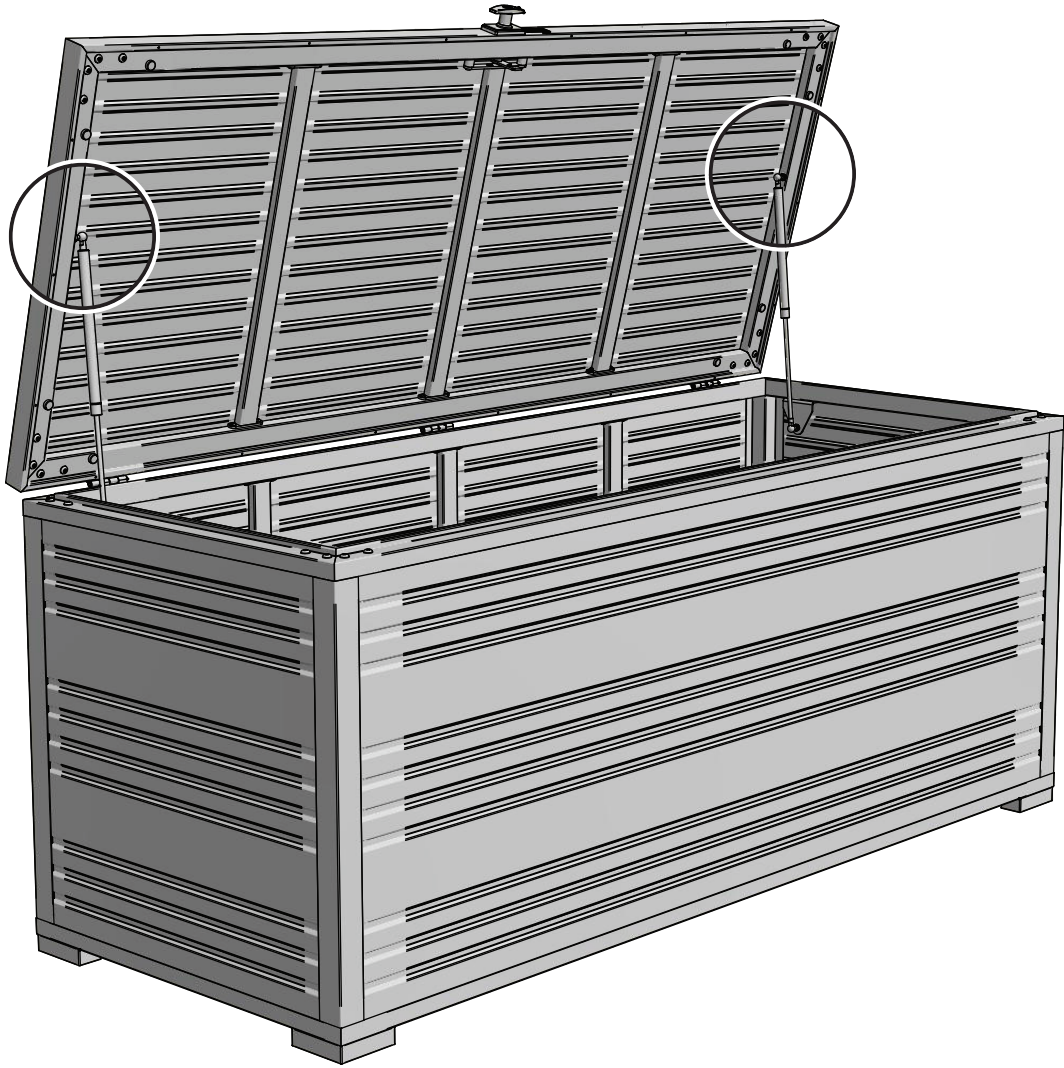
8



9

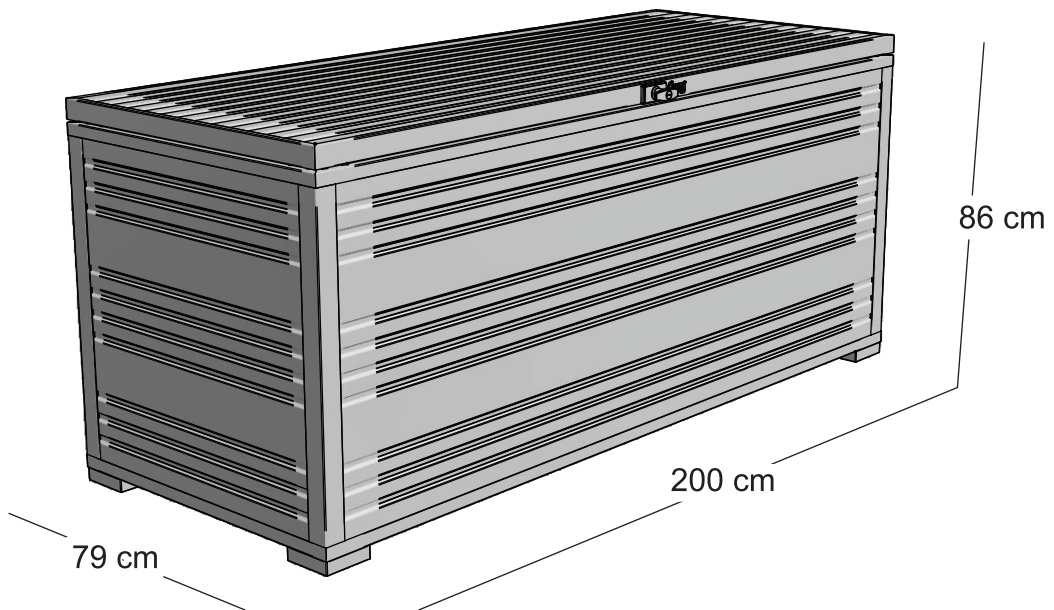


10



17

Product Information



Product Number

WE-ALU-BOX-1318-L

Product Description

Aluminum Storage Box, 2 Meter.
Aluminum Profiles 1.2 mm.
Aluminum Panels 1 mm.
Stainless Steel Hardware.
Key Lock Handle.
Powder Coated.
UV Protected

Product Dimensions

Width: 200 cm
Depth: 79 cm
Height: 86 cm
Weight: 44.8 kg

Package Informations

Quantity by box: 1
Width: 204 cm
Depth: 89 cm
Height: 21 cm
Weight: 51.6 kg

