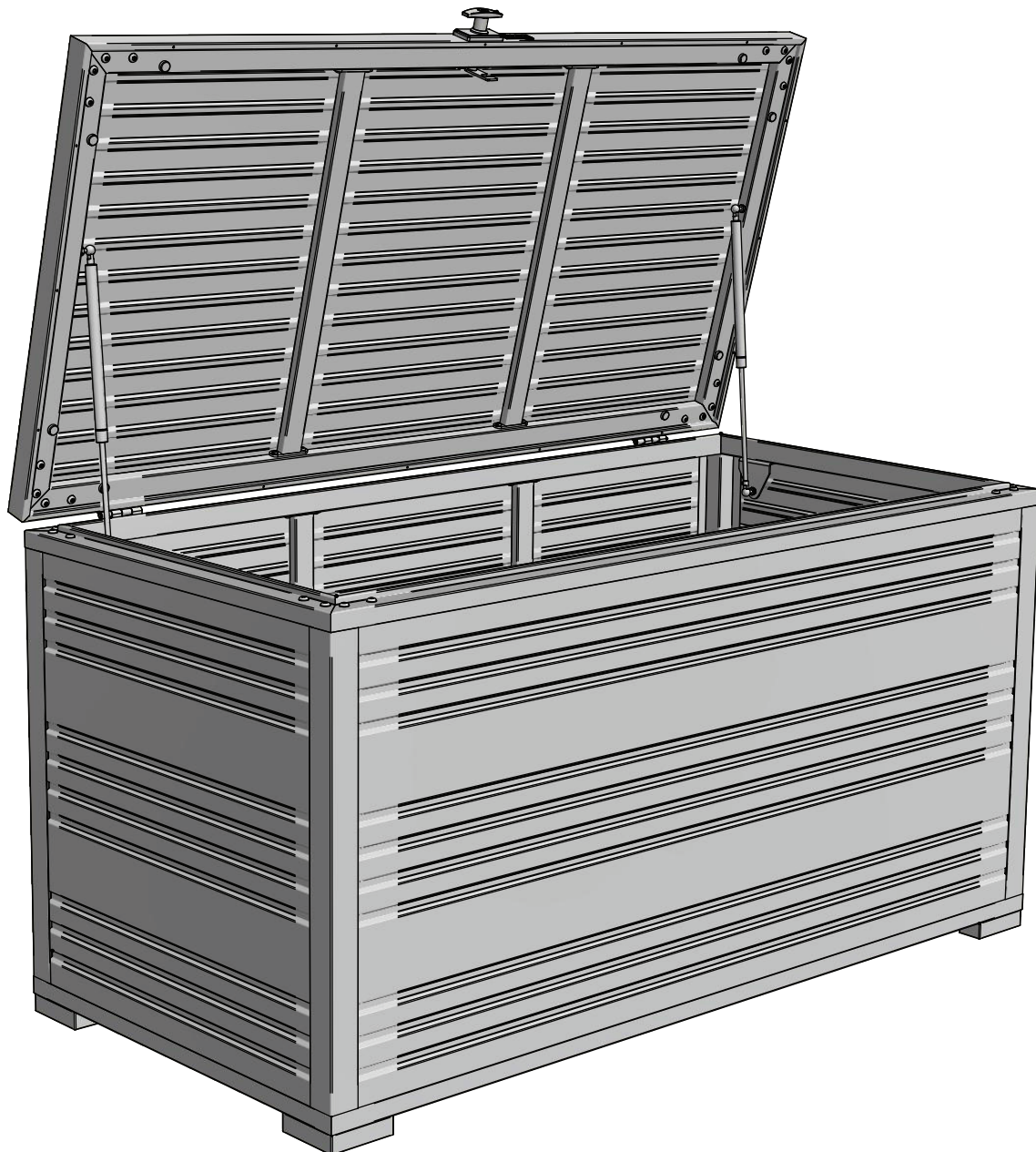


# WE-ALU-BOX-1050-L



Design and Quality

---

Strongly made for lifetime on all weather conditions



# Parts List

Item	Description	Part Number	Quantity
1	Corner Profile..	1600-0022	4
2	Front Panel..	1600-0610	2
3	Side Panel..	1600-0611	2
4	Upper Frame Cover..	1600-8001	1
5	Bottom Frame..	1600-8002	1
6	Cylinder..	2000-7004	2

# Hardware

Item	Description	Part Number	Quantity
7	Machine Screw M6 x 16 mm, Stainless Steel..	MS6M16SS	20
8	Machine Screw M8 x 60 mm, Stainless Steel..	MS8M60SS	16
9	Hexagon Key 4 mm..	HK4M	1
10	Hexagon Key 5 mm..	HK5M	1
11	Hexagon Key 12 mm..	SK12M	1

# Lista de Piezas

Artículo	Descripción	No.de Pieza	Cantidad
1	Perfil de Esquina.	1600-0022	4
2	Panel Frontal.	1600-0610	2
3	Panel Lateral.	1600-0611	2
4	Cubierta Superior del Marco.	1600-8001	1
5	Bastidor Inferior.	1600-8002	1
6	Cilindro.	2000-7004	2

# Sujetadores

Artículo	Descripción	No.de Pieza	Cantidad
7	Tornillo de Máquina M6 x 16 mm, Acero Inoxidable.	MS6M16SS	20
8	Tornillo de Máquina M8 x 60 mm, Acero Inoxidable.	MS8M60SS	16
9	Tecla Hexagonal 4 mm.	HK4M	1
10	Tecla Hexagonal 5 mm.	HK5M	1
11	Tecla Hexagonal 12 mm.	SK12M	1

# Lista de Peças

Número	Descrição	No.da Peça	Quantidade
1	Perfil de Canto..	1600-0022	4
2	Painel Frontal..	1600-0610	2
3	Painel Lateral..	1600-0611	2
4	Tampa Superior do Quadro..	1600-8001	1
5	Moldura Inferior..	1600-8002	1
6	Cilindro..	2000-7004	2

# Equipamento

Número	Descrição	No.da Peça	Quantidade
7	Parafuso da Máquina M6 x 16 mm, Aço Inoxidável..	MS6M16SS	20
8	Parafuso da Máquina M8 x 60 mm, Aço Inoxidável..	MS8M60SS	16
9	Chave Hexagon 4 mm..	HK4M	1
10	Chave Hexagon 5 mm..	HK5M	1
11	Chave Hexagon 12 mm..	SK12M	1



# Liste des Pièces

Item	Description	No. Pièce	Quantité
1	Profil de Coin..	1600-0022	4
2	Panneau Frontal..	1600-0610	2
3	Panneau Latéral..	1600-0611	2
4	Couvercle Supérieur..	1600-8001	1
5	Cadre Inférieur..	1600-8002	1
6	Cylindre..	2000-7004	2

# Quincaillerie

Item	Description	No. Pièce	Quantité
7	Vis Mécanique M6 x 16 mm, Acier Inoxidable..	MS6M16SS	20
8	Vis Mécanique M8 x 60 mm, Acier Inoxidable..	MS8M60SS	16
9	Clef Hexagonale 4 mm..	HK4M	1
10	Clef Hexagonale 5 mm..	HK5M	1
11	Clef Hexagonale 12 mm..	SK12M	1

# Stückliste

Artikel	Beschreibung	Teilenummer	Menge
1	Eckprofil	1100-0022	4
2	Frontplatte	1100-0610	2
3	Seitenplatte	1100-0611	2
4	Zylinder	1000-7004	2
5	Obere Rahmenabdeckung	1100-8001	1
6	Unterrahmen	1100-8002	1

# Verschlüsse

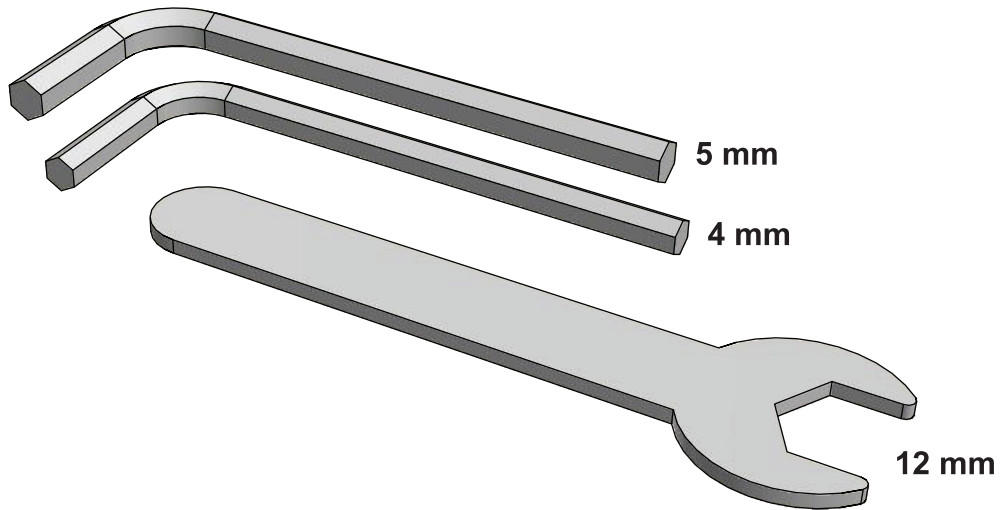
Artikel	Beschreibung	Teilenummer	Menge
7	Maschinenschraube M6 x 16 mm, Edelstahl.	MS6M16SS	12
8	Maschinenschraube M8 x 60 mm, Edelstahl.	MS8M60SS	16
9	Inbusschlüssel 4 mm.	HK4M	1
10	Inbusschlüssel 5 mm.	HK5M	1
11	Ringschlüssel 12 mm.	SK12M	1

# Elenco Parti

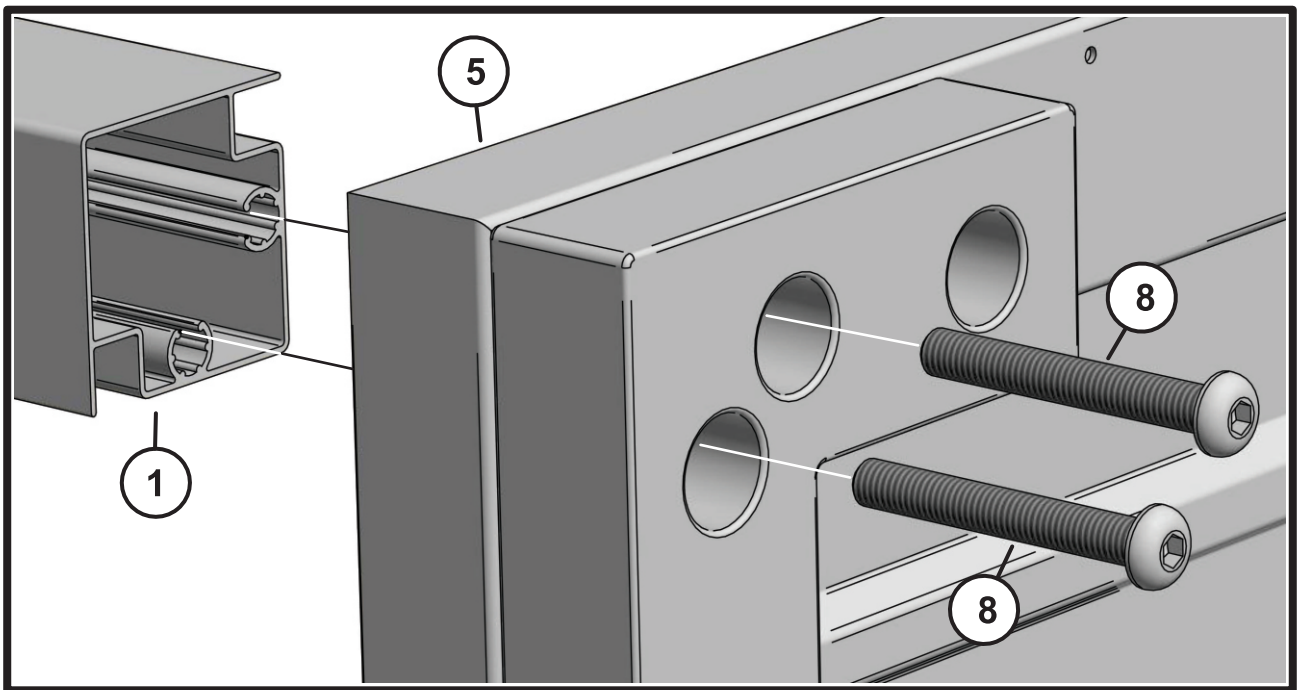
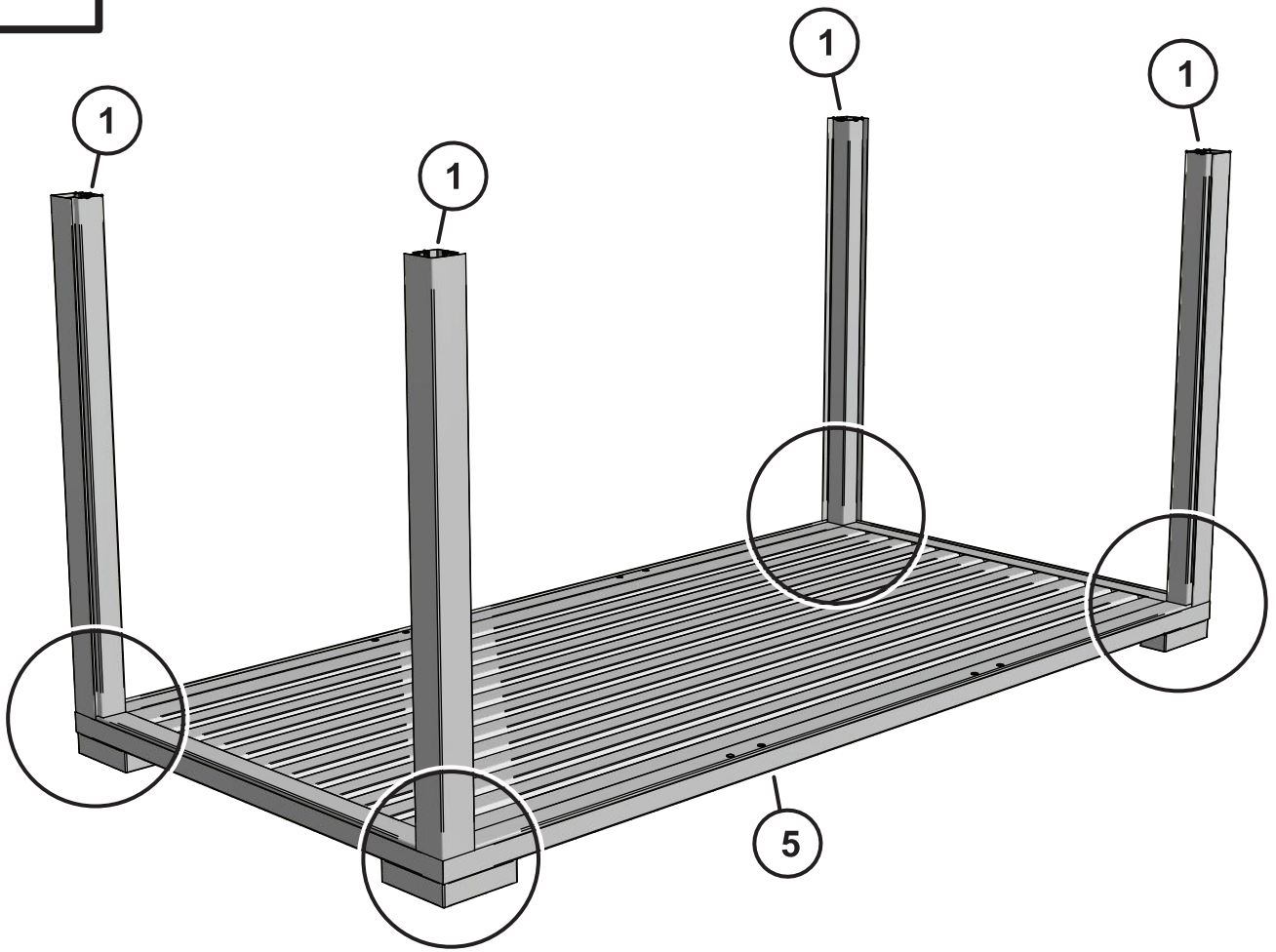
Articolo	Descrizione	No.di Parte	Quantità
1	Profilo Angolare..	1600-0022	4
2	Pannello Frontale..	1600-0610	2
3	Pannello Laterale..	1600-0611	2
4	Copertura del Telaio Superiore..	1600-8001	1
5	Telaio Inferiore..	1600-8002	1
6	Cilindro..	2000-7004	2

# Fissaggio

Articolo	Descrizione	No.di Parte	Quantità
7	Vite a Macchina M6 x 16 mm, Acciaio Inossidabile..	MS6M16SS	20
8	Vite a Macchina M8 x 60 mm, Acciaio Inossidabile..	MS8M60SS	16
9	Chiave Esagonale 4 mm..	HK4M	1
10	Chiave Esagonale 5 mm..	HK5M	1
11	Chiave Esagonale 12 mm..	SK12M	1

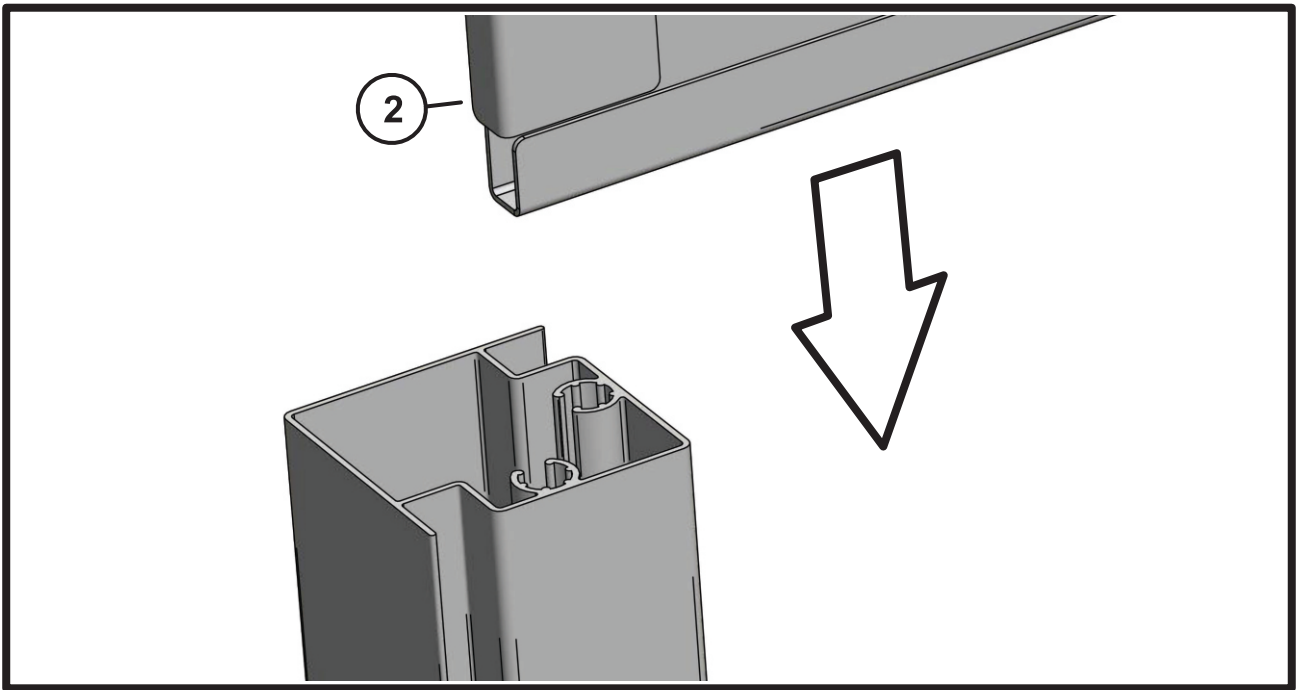
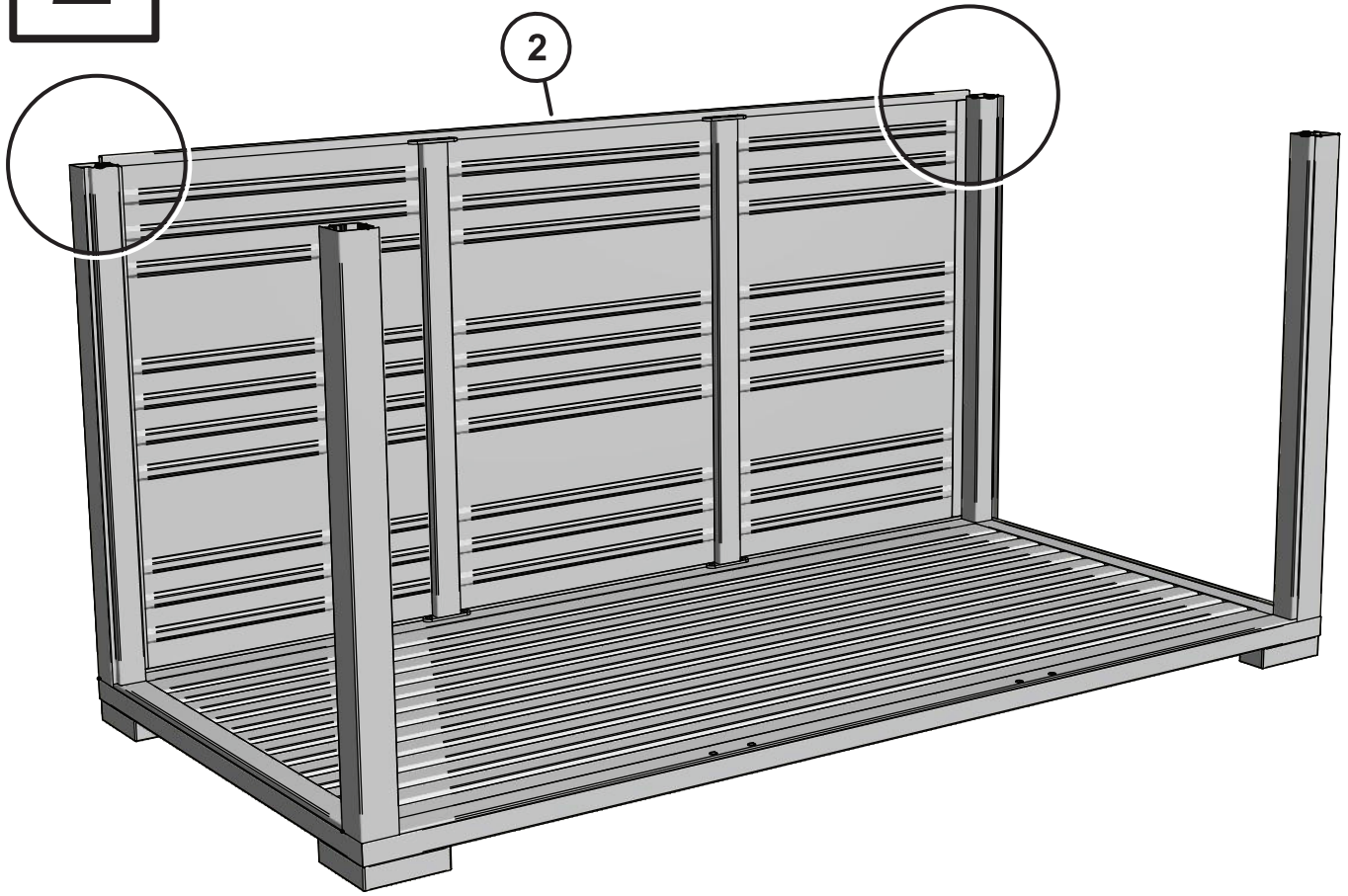


**1**

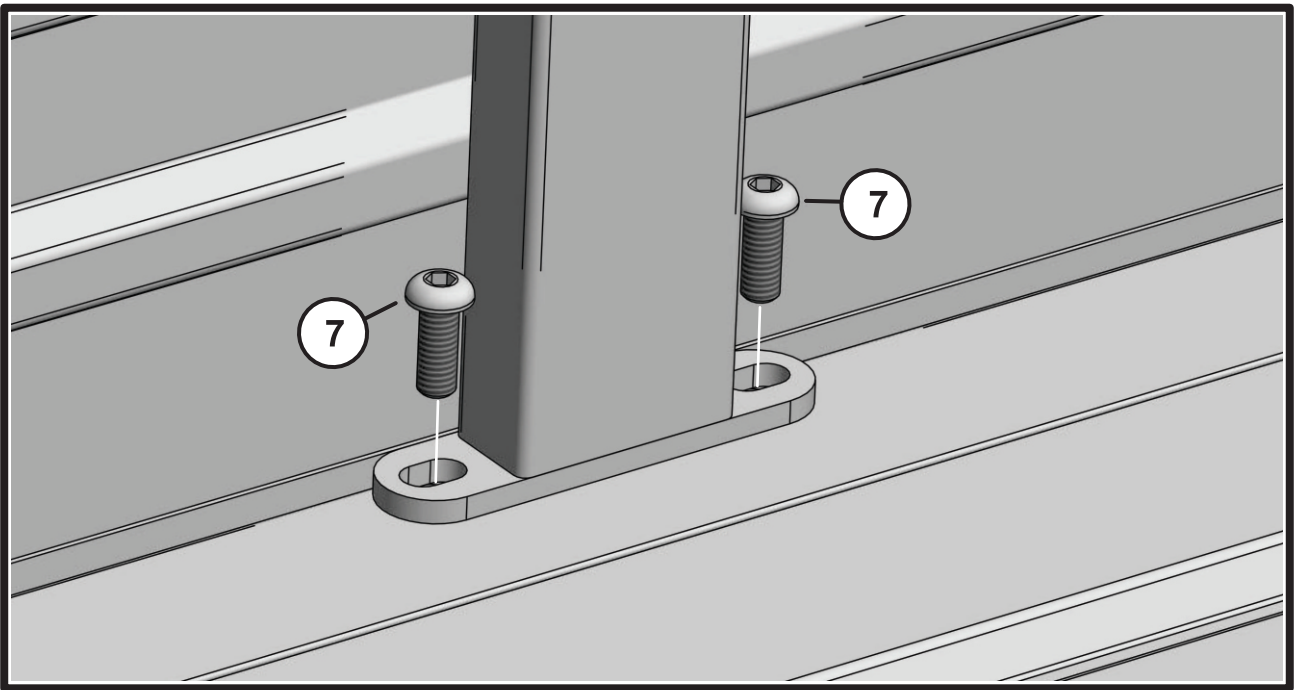
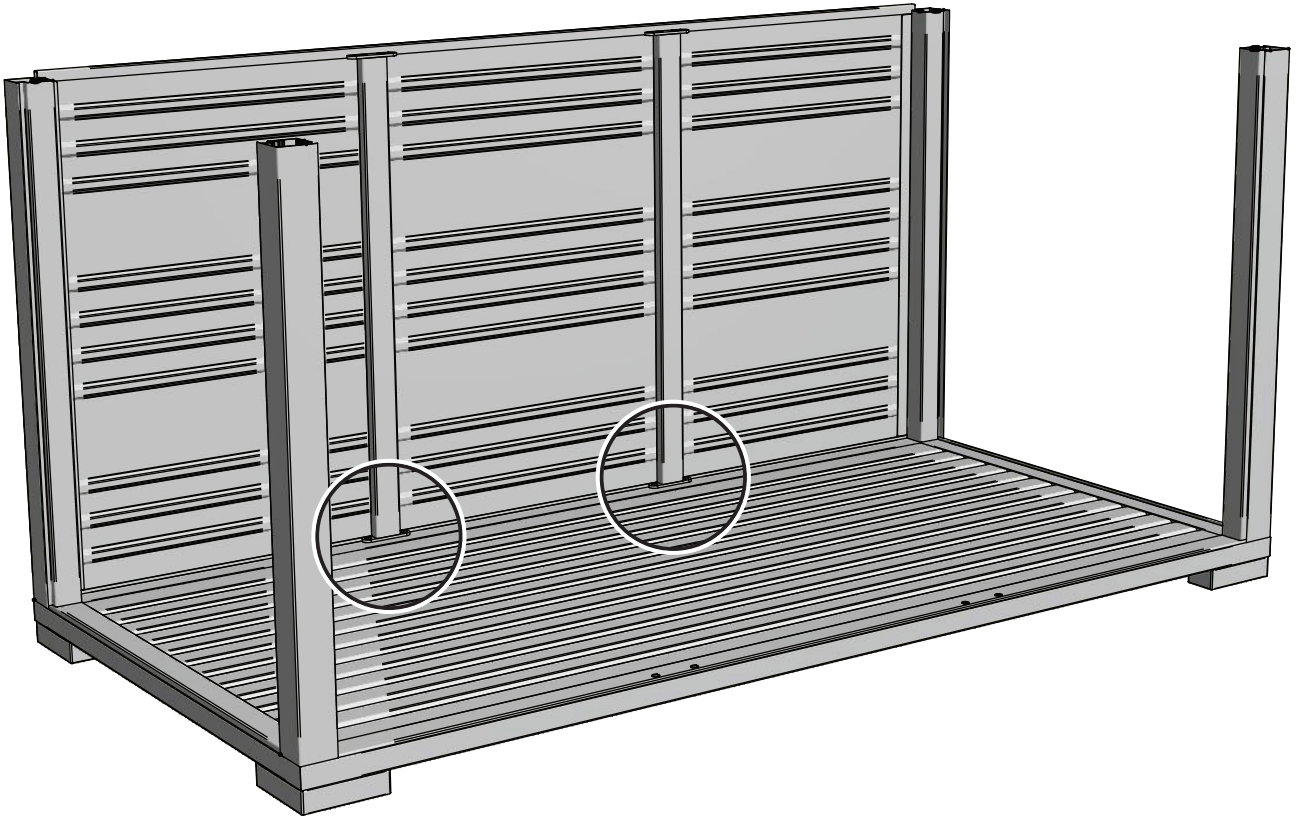


**8**

**2**

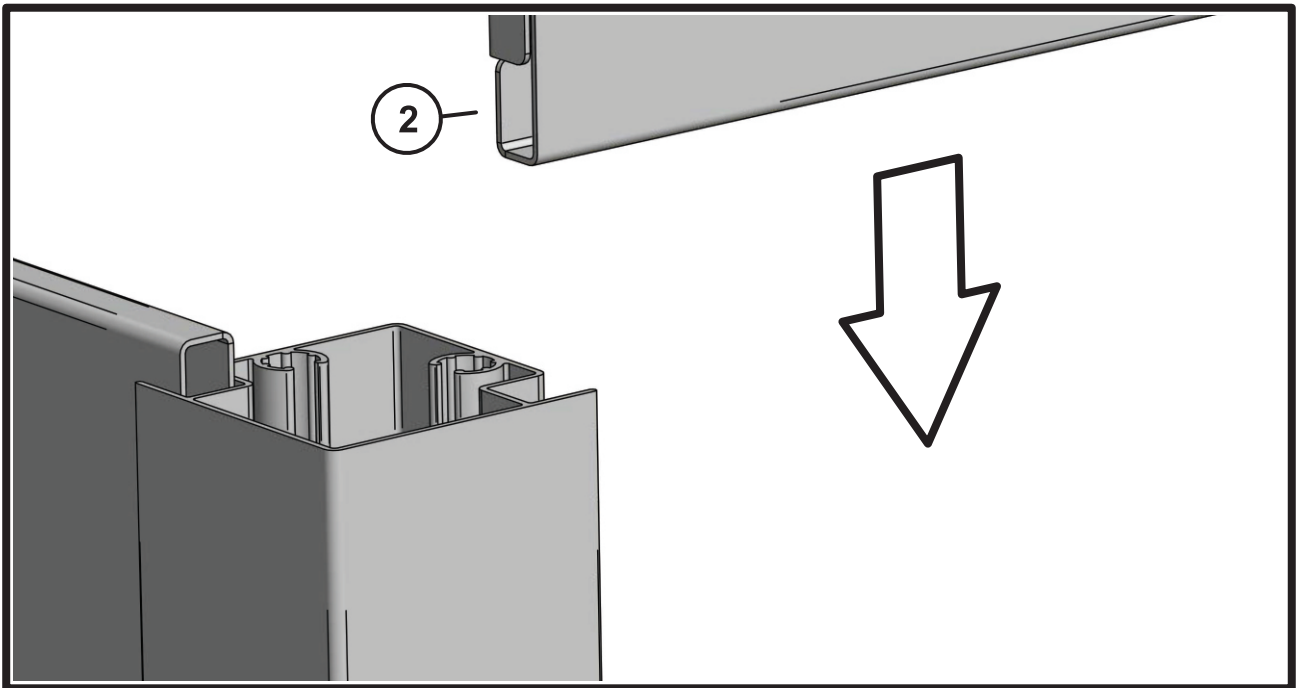
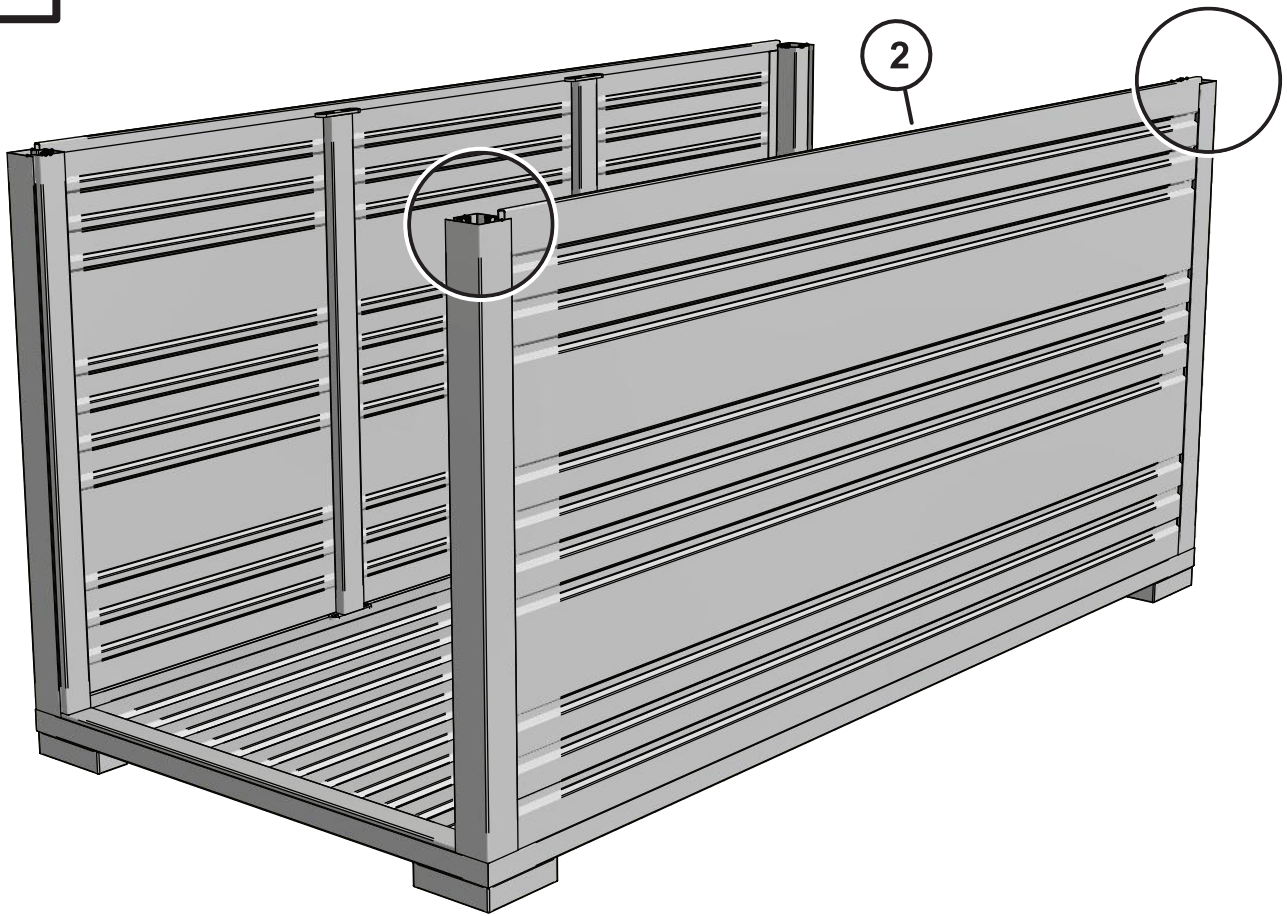


**3**



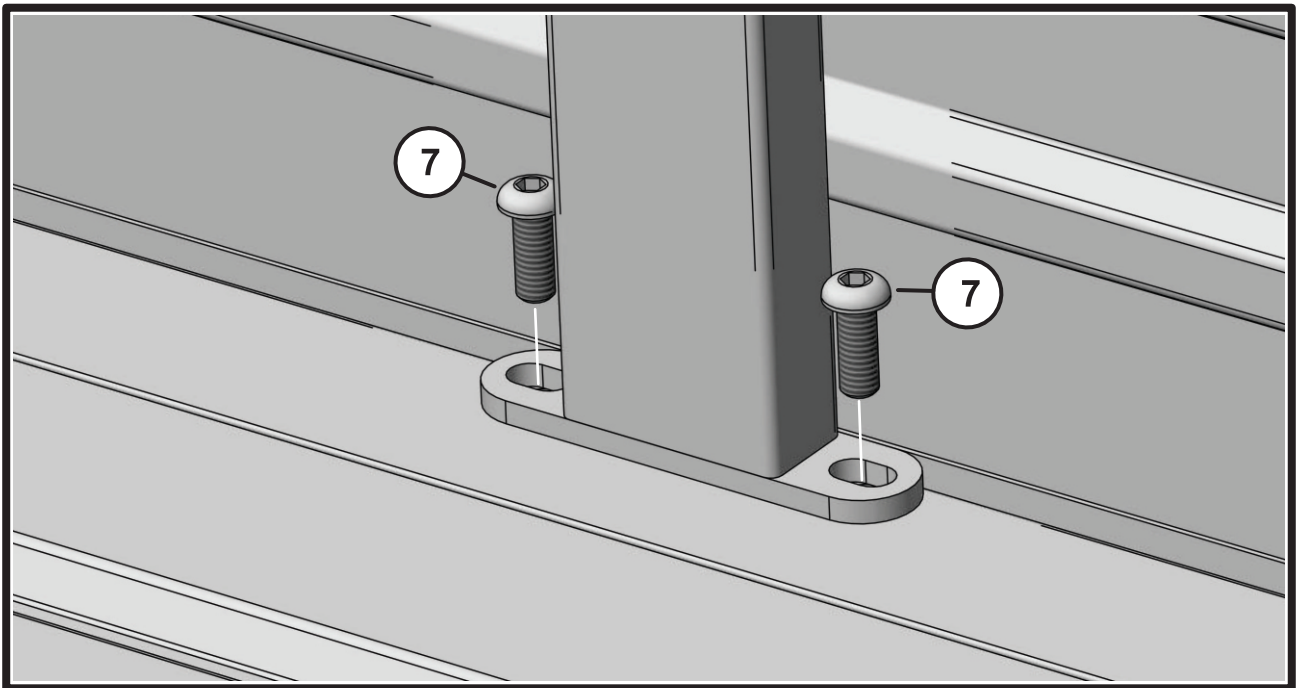
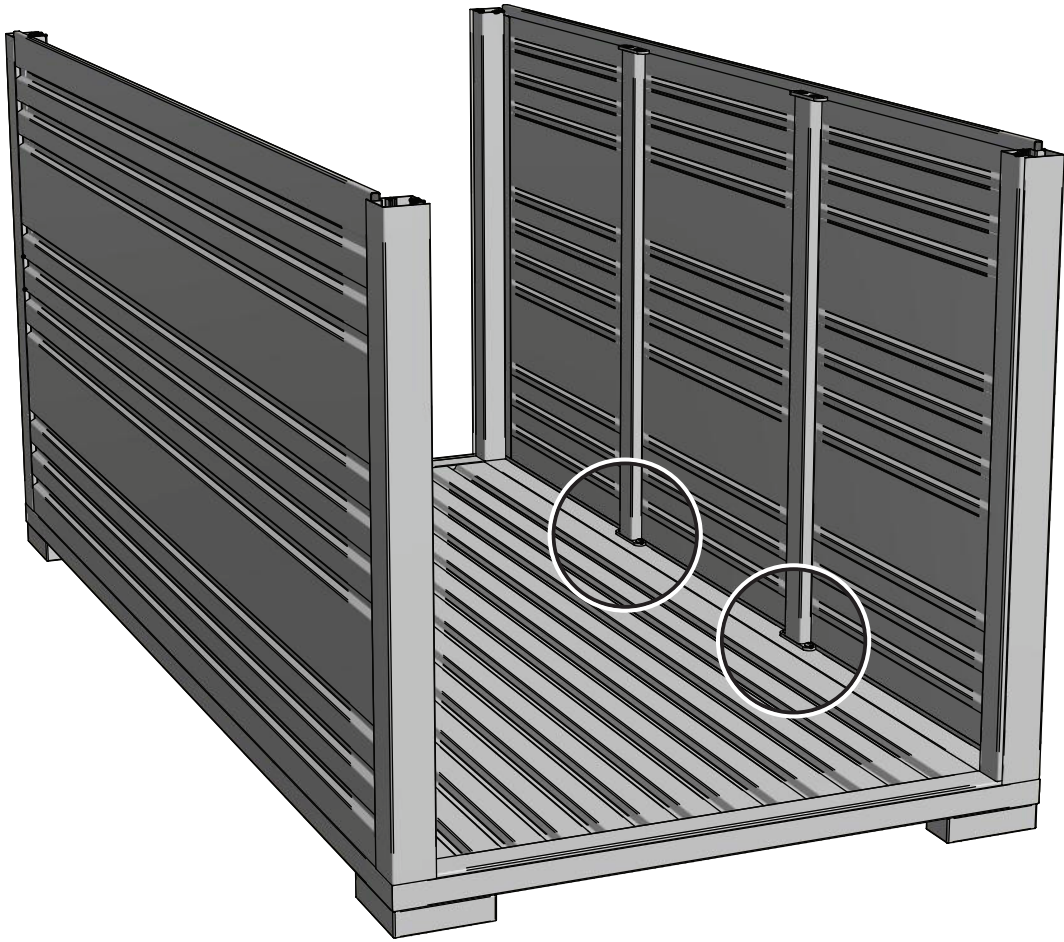


**4**

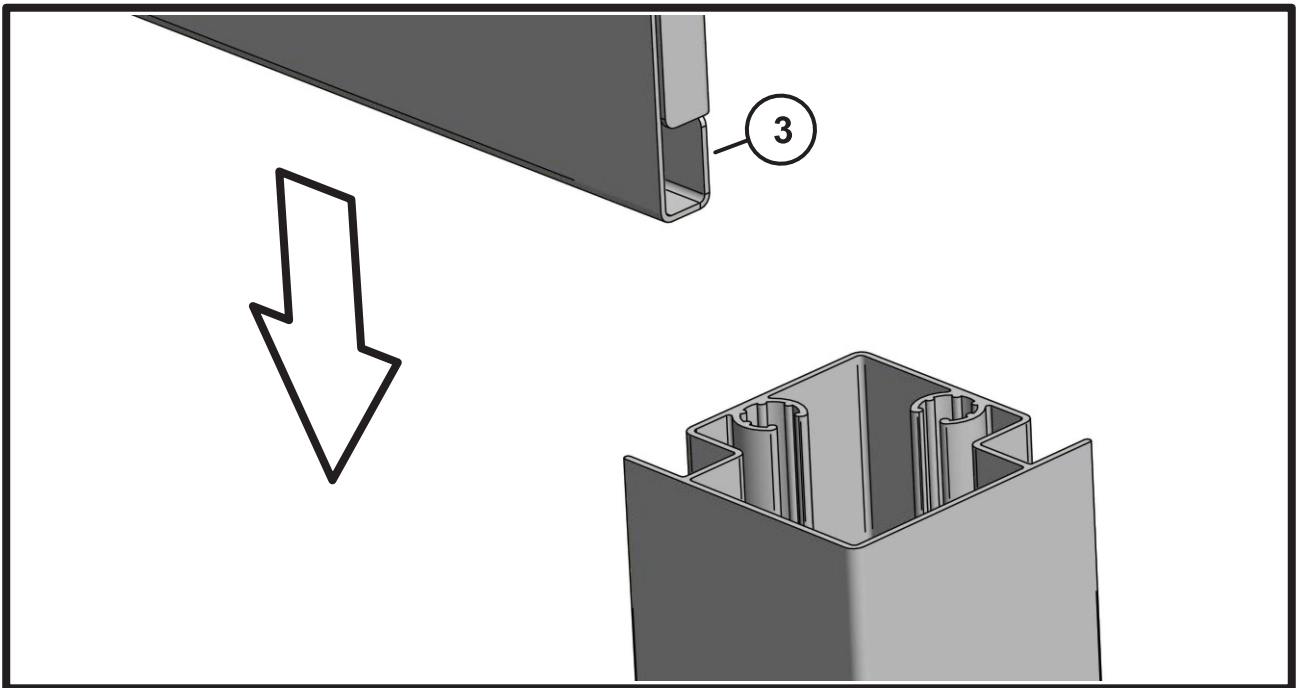
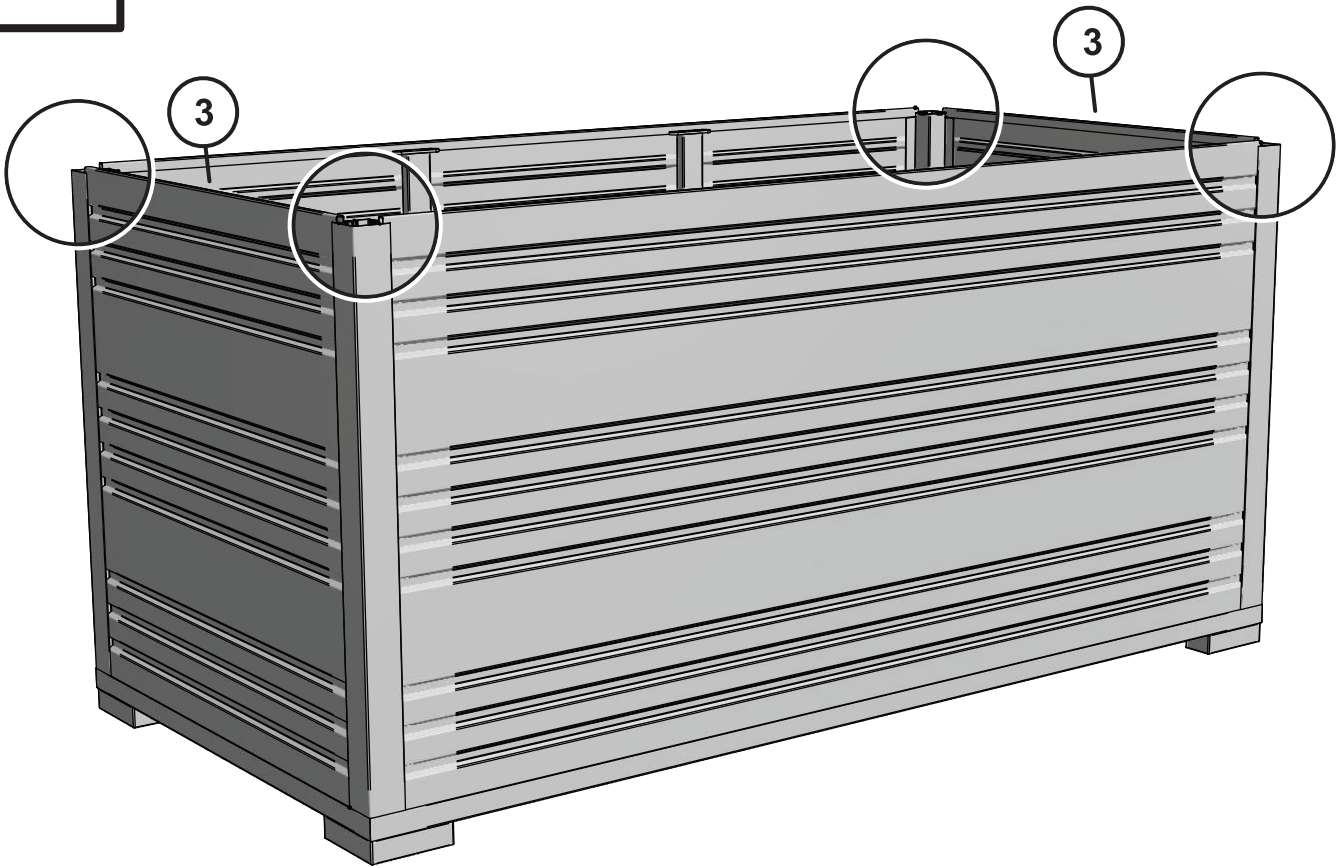




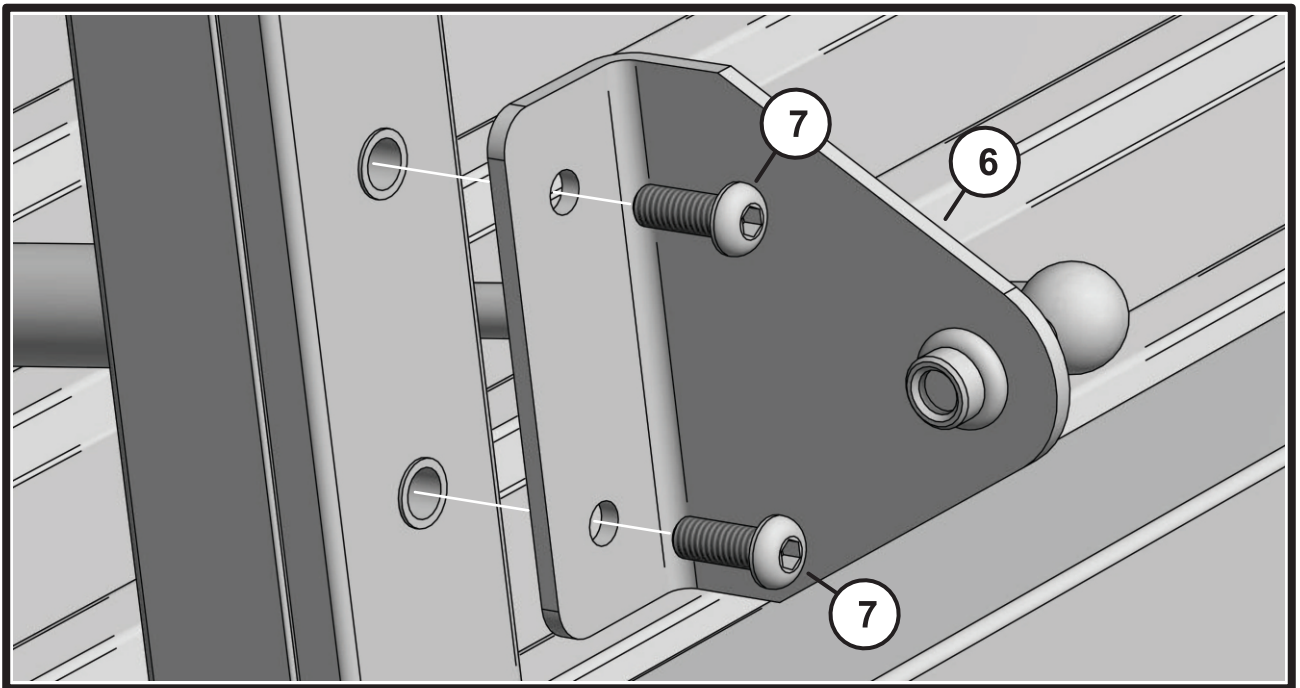
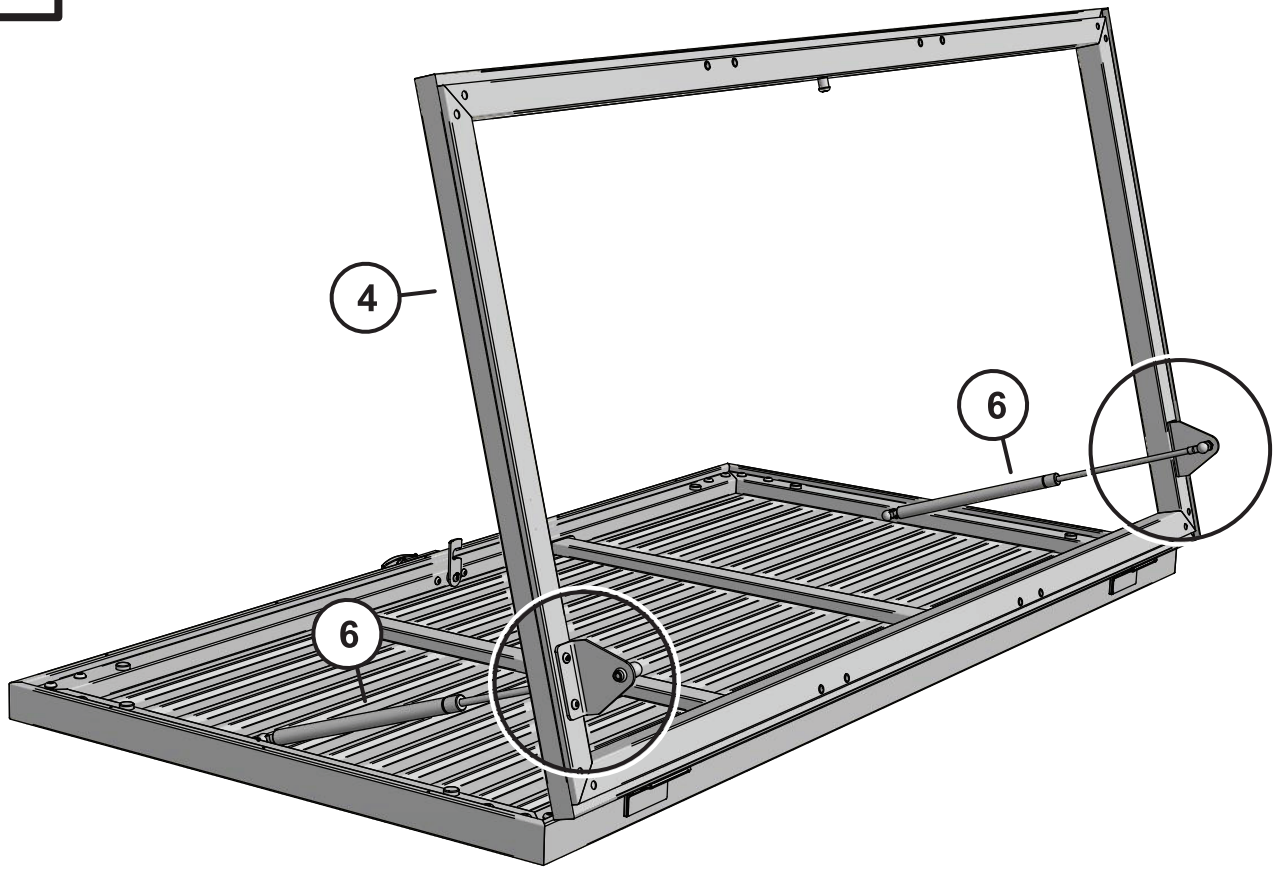
**5**



**6**

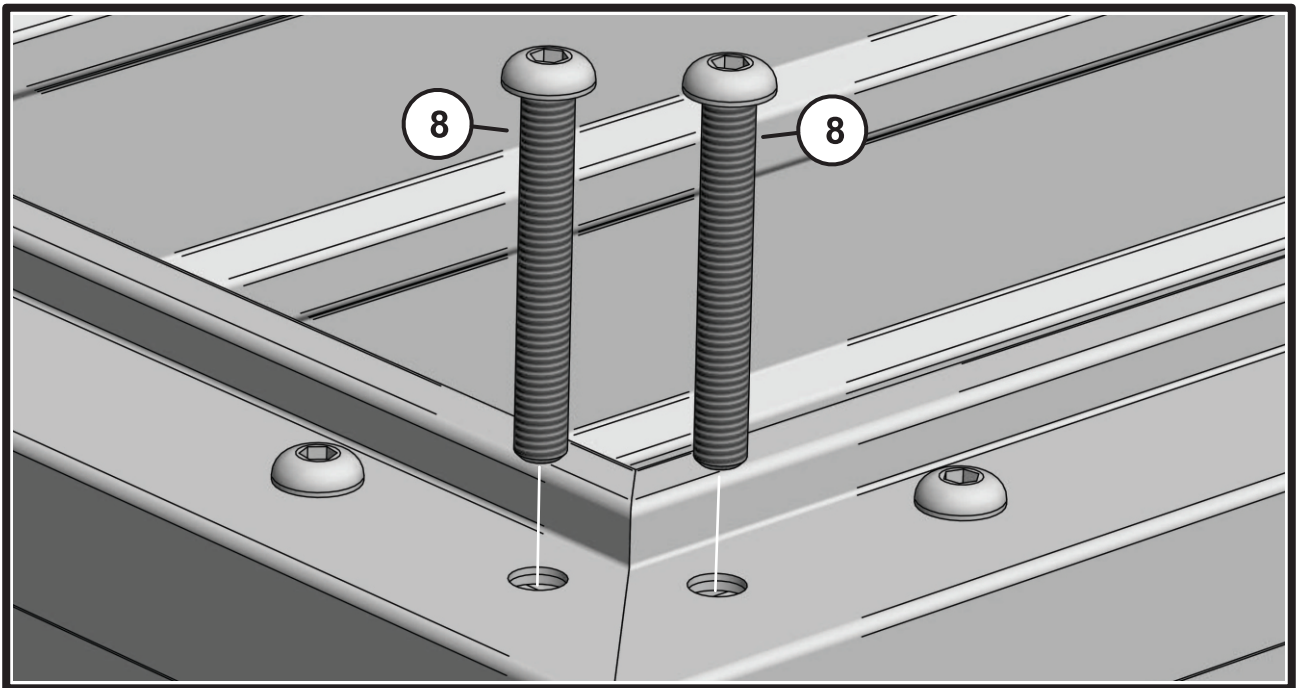
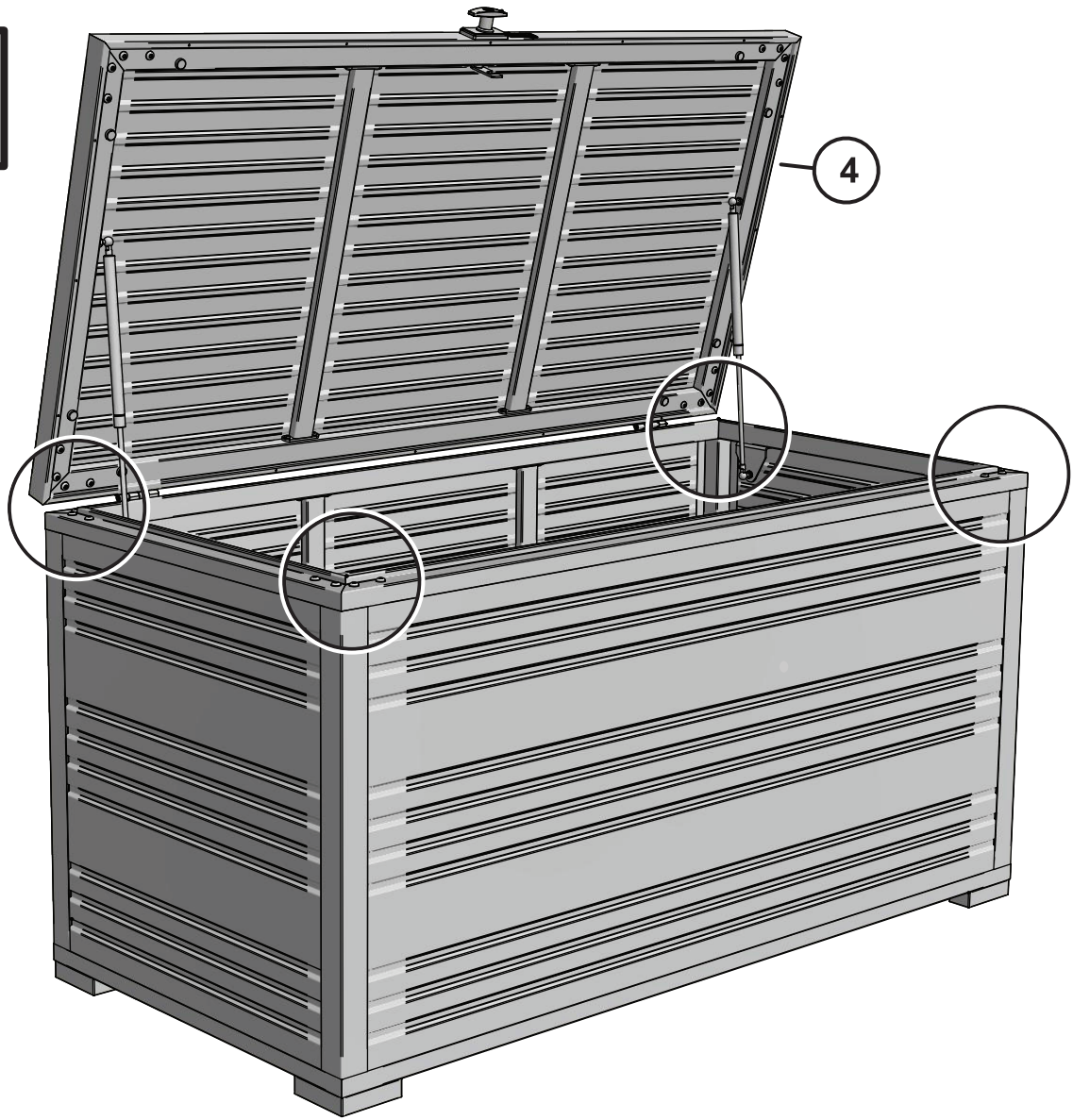


**7**

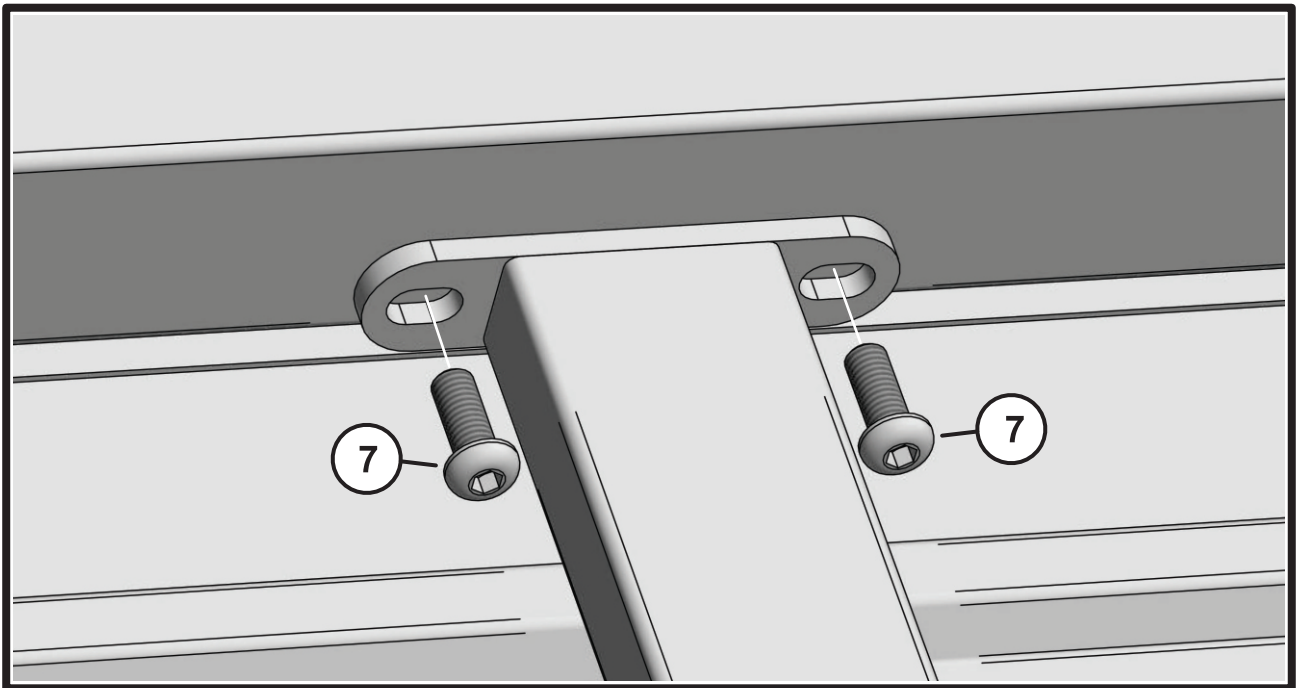
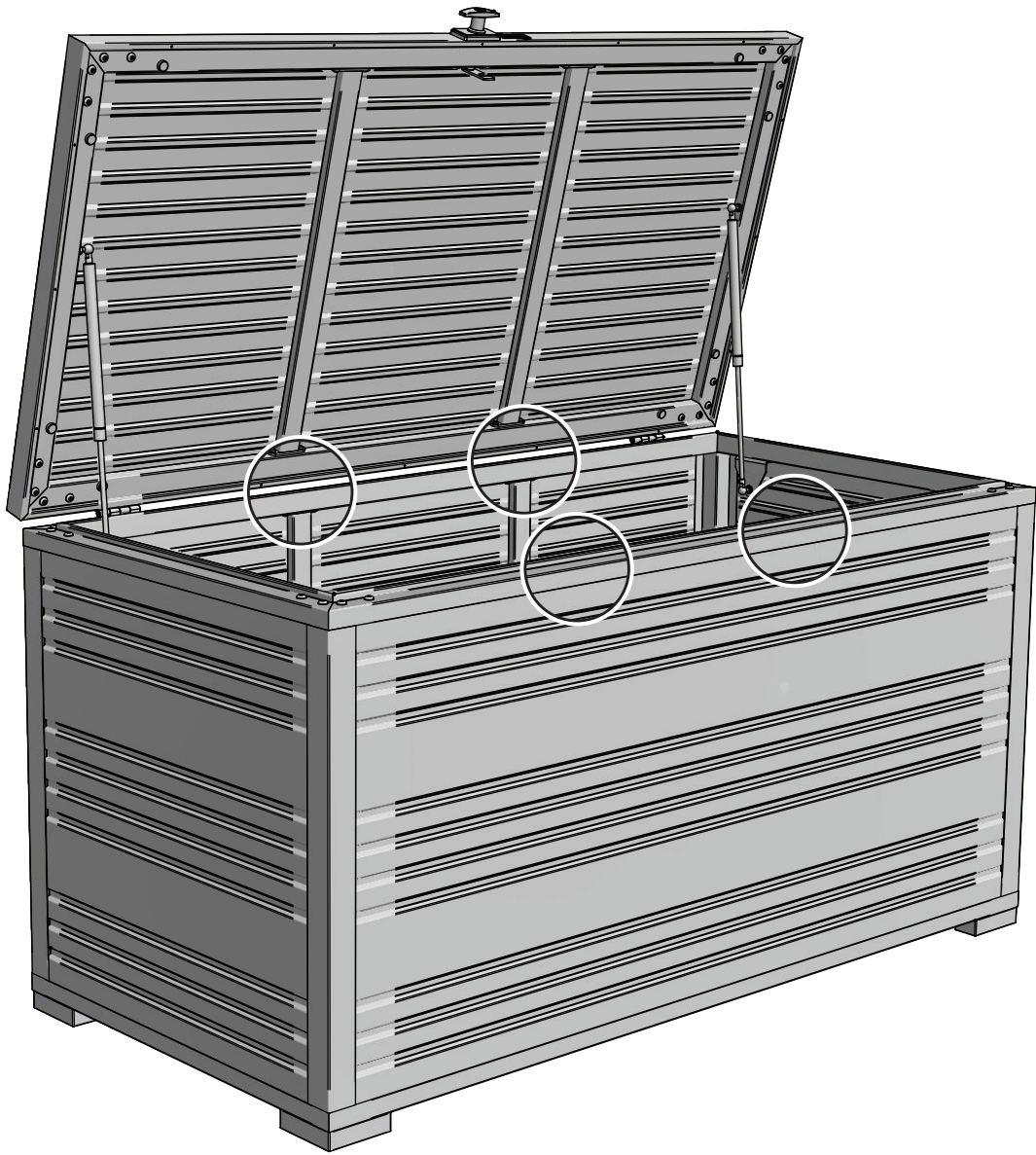




**8**

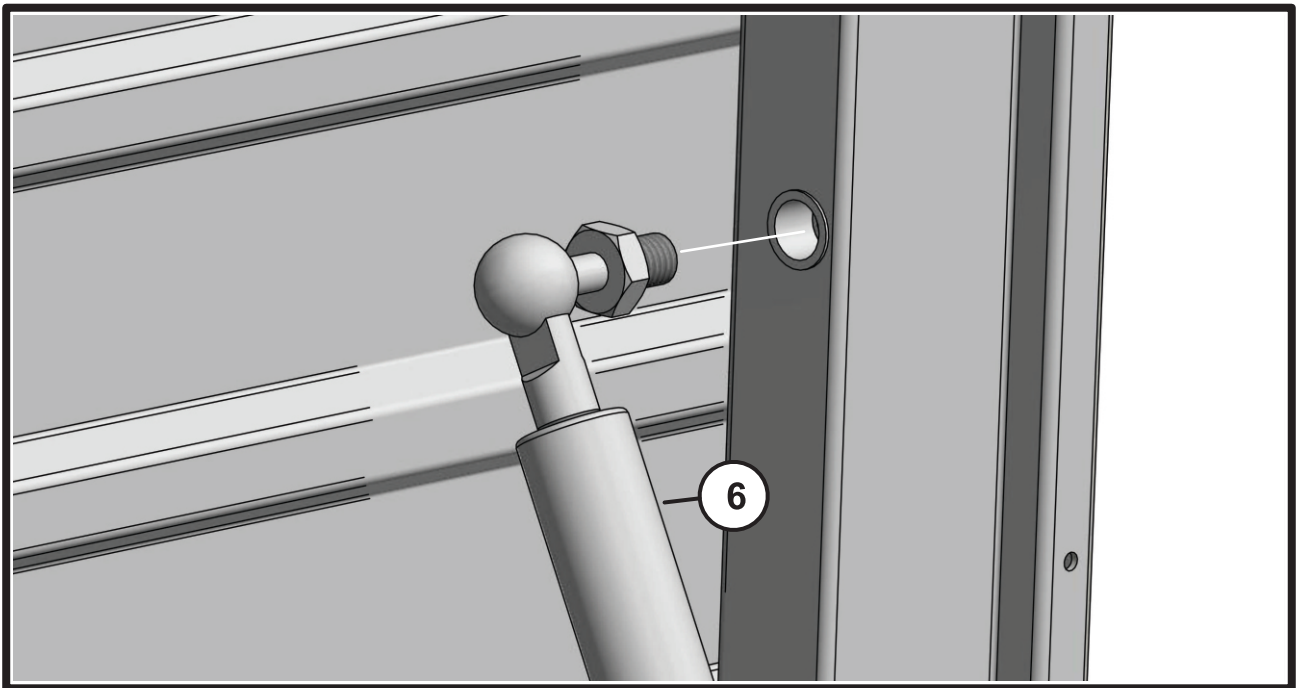
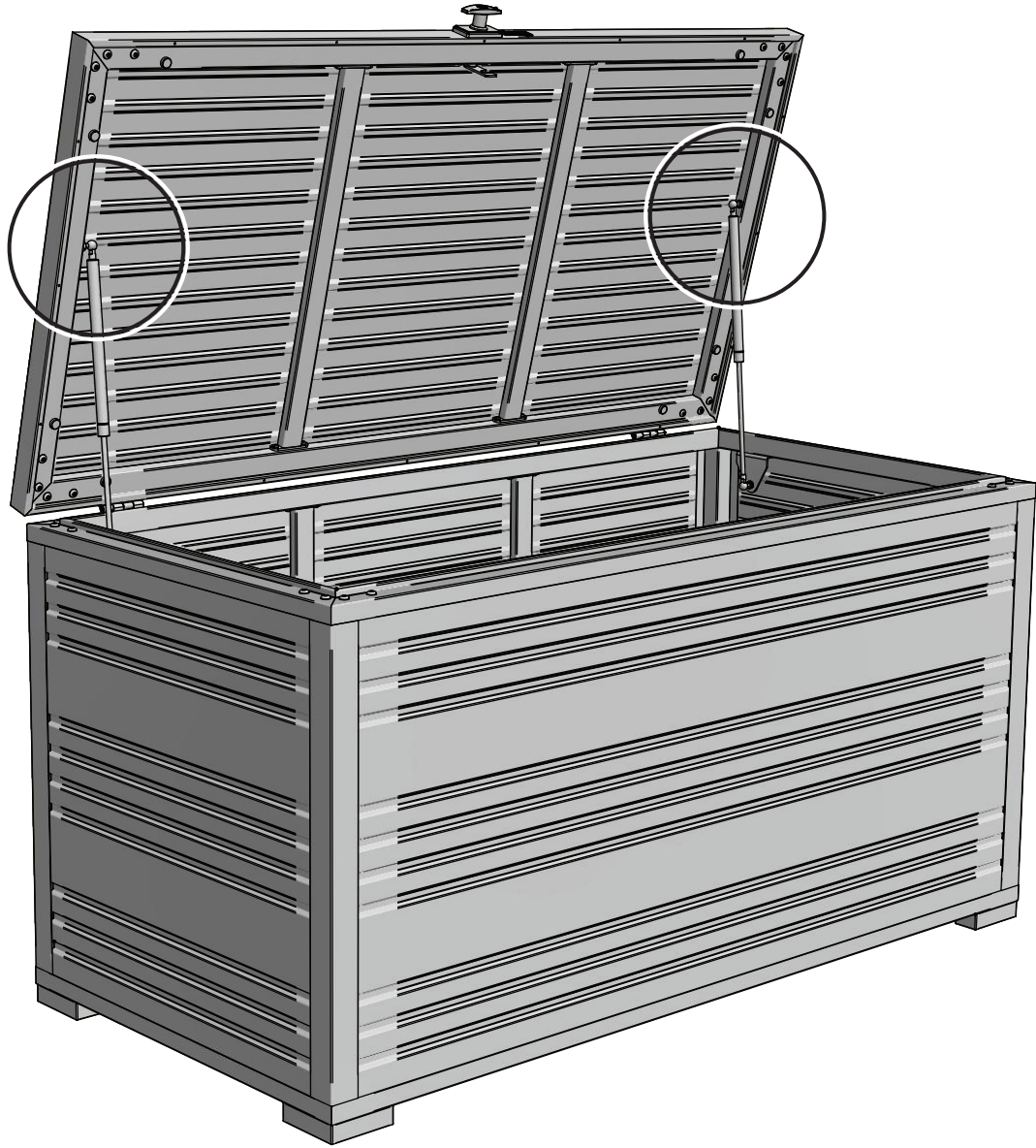


9



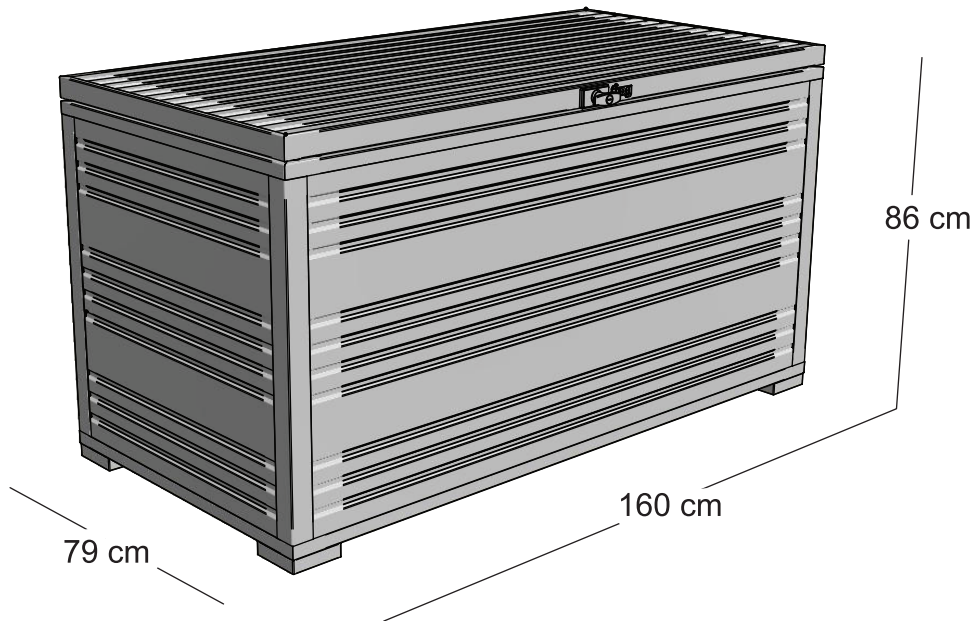


**10**



**17**

# Product Information



## Product Number

WE-ALU-BOX-1050-L

## Product Description

Aluminum Storage Box, 1.6 Meter.  
Aluminum Profiles 1.2 mm.  
Aluminum Panels 1 mm.  
Stainless Steel Hardware.  
Key Lock Handle.  
Powder Coated.  
UV Protected

## Product Dimensions

Width: 160 cm  
Depth: 79 cm  
Height: 86 cm  
Weight: 37.7 kg

## Package Informations

Quantity by box: 1  
Width: 164 cm  
Depth: 89 cm  
Height: 21 cm  
Weight: 43.4 kg

